

14.

F.O.F.

**FABRIC
OVER
FOAM
PROFILE.**



GENERAL INFORMATION

Euro Technologies has a comprehensive range of conductive fabric over foam gaskets.

This solution is formed by placing highly flexible nickel over copper plated fabric over an open cell polyurethane foam core.

Our fabric over foam gasket provides high conductivity, shielding capability, abrasion resistance, galvanic compatibility and low compression forces.

The gaskets are normally fitted with Pressure Sensitive Adhesive (PSA) for an easy application.

Customizations



FEATURES AND BENEFITS

- Shielding effectiveness of > 100 dB.
- Extremely low compression forces.
- Low Surface Resistivity of < 0.07 ohms/square.
- UL recognized per UL94-HB or UL94-V0.
- Abrasion resistance of >1.000.000 cycles.
- Service temperatures from - 40 °C to 70 °C.

TOLERANCES

Cut to Length (mm)

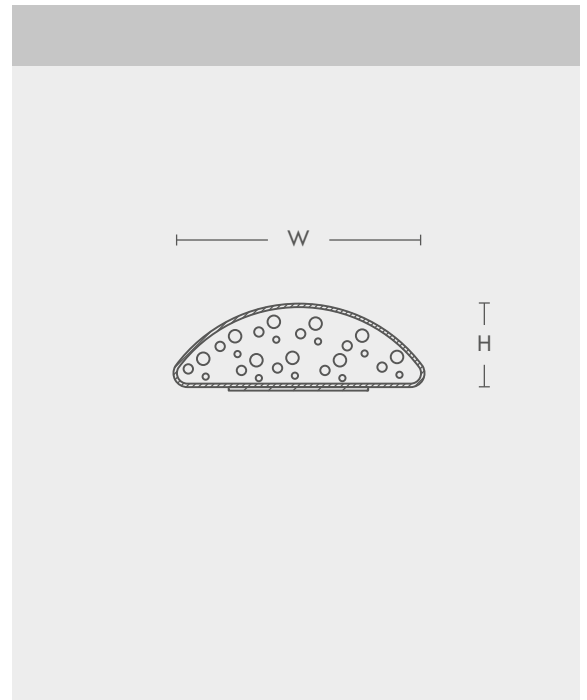
- > 25 to 152 ± 0.8
- > 152 to 280 ± 1.3
- > 280 to 1220 ± 2.6
- > 1220 to 1780 ± 4.8
- > 1780 to 3650 ± 6.4

Cross Section (mm)

- < 2.5 ± 0.5
- > 2.5 ± 0.8

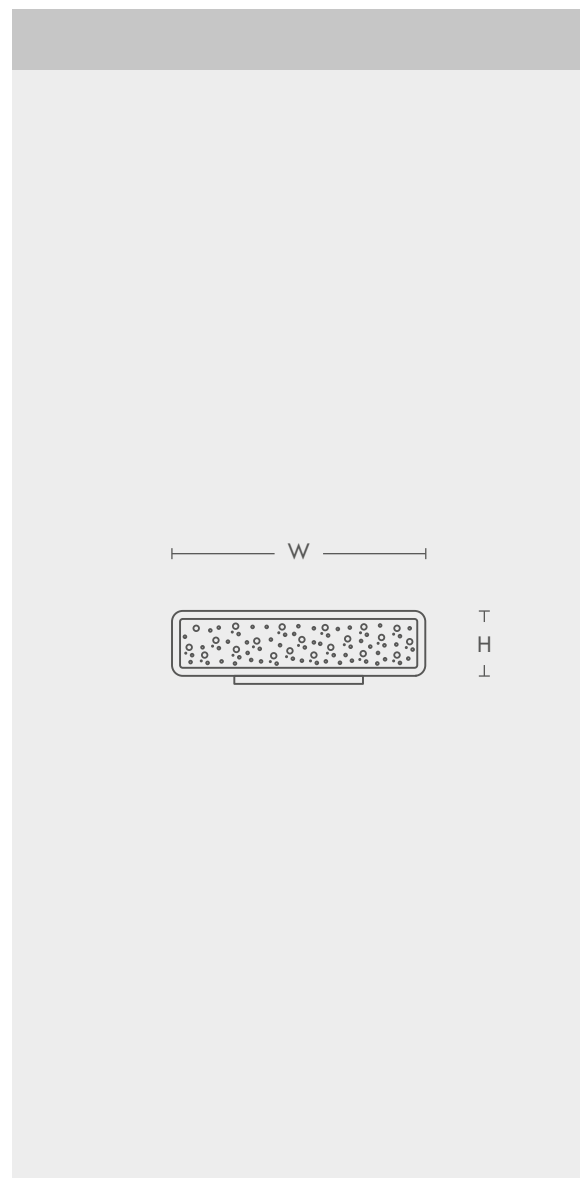
D-SHAPED

Code	H (mm)	W (mm)
FOFD-x-01-7900	1.5	3.8
FOFD-x-02-7900	2.0	2.0
FOFD-x-03-7900	2.3	2.3
FOFD-x-04-7900	2.3	3.8
FOFD-x-05-7900	2.5	7.6
FOFD-x-06-7900	3.0	3.8
FOFD-x-07-7900	3.0	6.4
FOFD-x-08-7900	3.3	4.8
FOFD-x-09-7900	3.8	9.0
FOFD-x-10-7900	4.0	11.0
FOFD-x-11-7900	4.1	6.1
FOFD-x-12-7900	9.5	12.7
FOFD-x-13-7900	12.7	12.7



RECTANGULAR SHAPED

Code	H (mm)	W (mm)
FOFR-x-01-7900	0.5	5.0
FOFR-x-02-7900	1.0	5.1
FOFR-x-03-7900	1.0	4.0
FOFR-x-04-7900	1.0	10.0
FOFR-x-05-7900	1.5	3.2
FOFR-x-06-7900	1.5	5.1
FOFR-x-07-7900	1.5	12.7
FOFR-x-08-7900	1.5	19.1
FOFR-x-09-7900	1.6	7.6
FOFR-x-10-7900	2.0	4.1
FOFR-x-11-7900	2.0	7.0
FOFR-x-12-7900	2.0	10.2
FOFR-x-13-7900	2.3	5.1
FOFR-x-14-7900	2.5	9.5
FOFR-x-15-7900	3.0	3.9
FOFR-x-16-7900	3.0	3.2
FOFR-x-17-7900	3.0	5.0
FOFR-x-18-7900	3.0	10.0
FOFR-x-19-7900	3.2	6.4
FOFR-x-20-7900	3.3	4.8
FOFR-x-21-7900	3.8	12.7
FOFR-x-22-7900	4.0	8.0
FOFR-x-23-7900	5.0	15.0
FOFR-x-24-7900	6.4	9.5
FOFR-x-25-7900	6.4	12.7



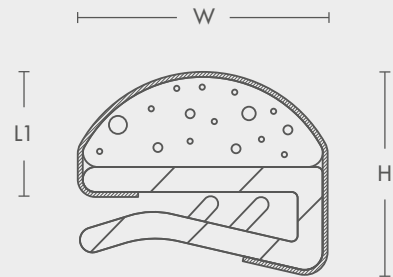
D-SHAPED CLIP

Code **H (mm)** **W (mm)** **L1 (mm)**

FOFDC-x-01-7900 5.2 6.4 3.2

FOFDC-x-02-7900 6.2 6.4 4.2

FOFDC-x-03-7900 9.1 6.4 7.1



C-FOLD SHAPED

Code **H (mm)** **W (mm)** **L1 (mm)** **L2 (mm)**

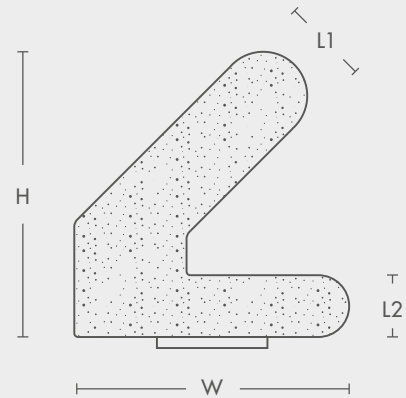
FOFC-x-01-7900 6.4 7.1 3.2 1.5

FOFC-x-02-7900 8.0 8.0 2.0 2.0

FOFC-x-03-7900 9.8 10.7 2.9 1.5

FOFC-x-04-7900 10.5 11.4 3.4 1.7

FOFC-x-05-7900 17.1 15.0 4.2 4.0



SQUARE SHAPED

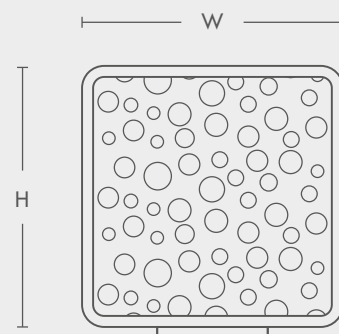
Code **H (mm)** **W (mm)**

FOFS-x-01-7900 3.0 3.0

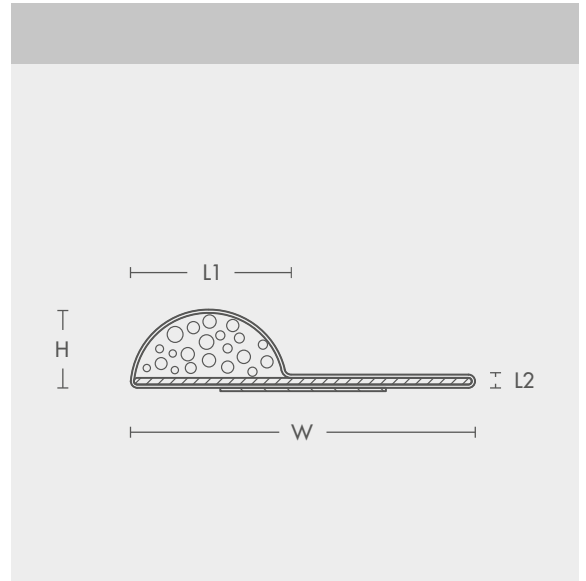
FOFS-x-02-7900 4.0 4.0

FOFS-x-03-7900 12.7 12.7

FOFS-x-04-7900 17.0 17.0

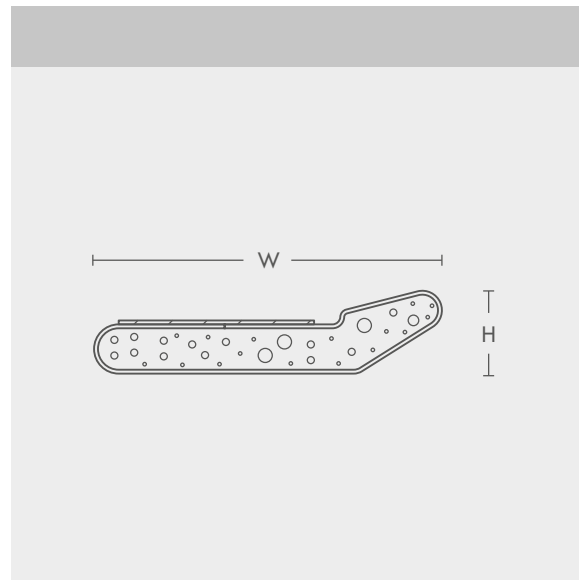


P-SHAPED



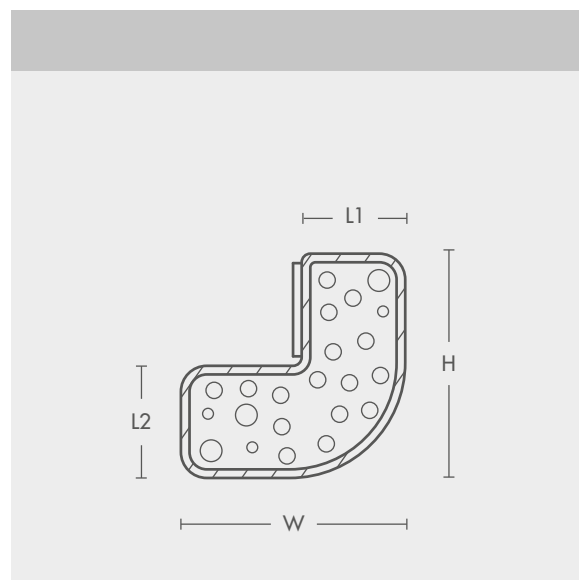
Code	H (mm)	W (mm)	L1 (mm)	L2 (mm)
FOFP-x-01-7900	3.0	13.2	6.1	0.5
FOFP-x-02-7900	5.5	12.0	4.3	2.3

KNIFE SHAPED



Code	H (mm)	W (mm)
FOFK-x-01-7900	2.7	11.3
FOFK-x-01-7900	6.4	19.1

J-SHAPED



Code	H (mm)	W (mm)	L1 (mm)	L2 (mm)
FOFJ-x-01-7900	5.3	3.3	1.6	1.8
FOFJ-x-01-7900	10.2	7.6	4.4	3.6

