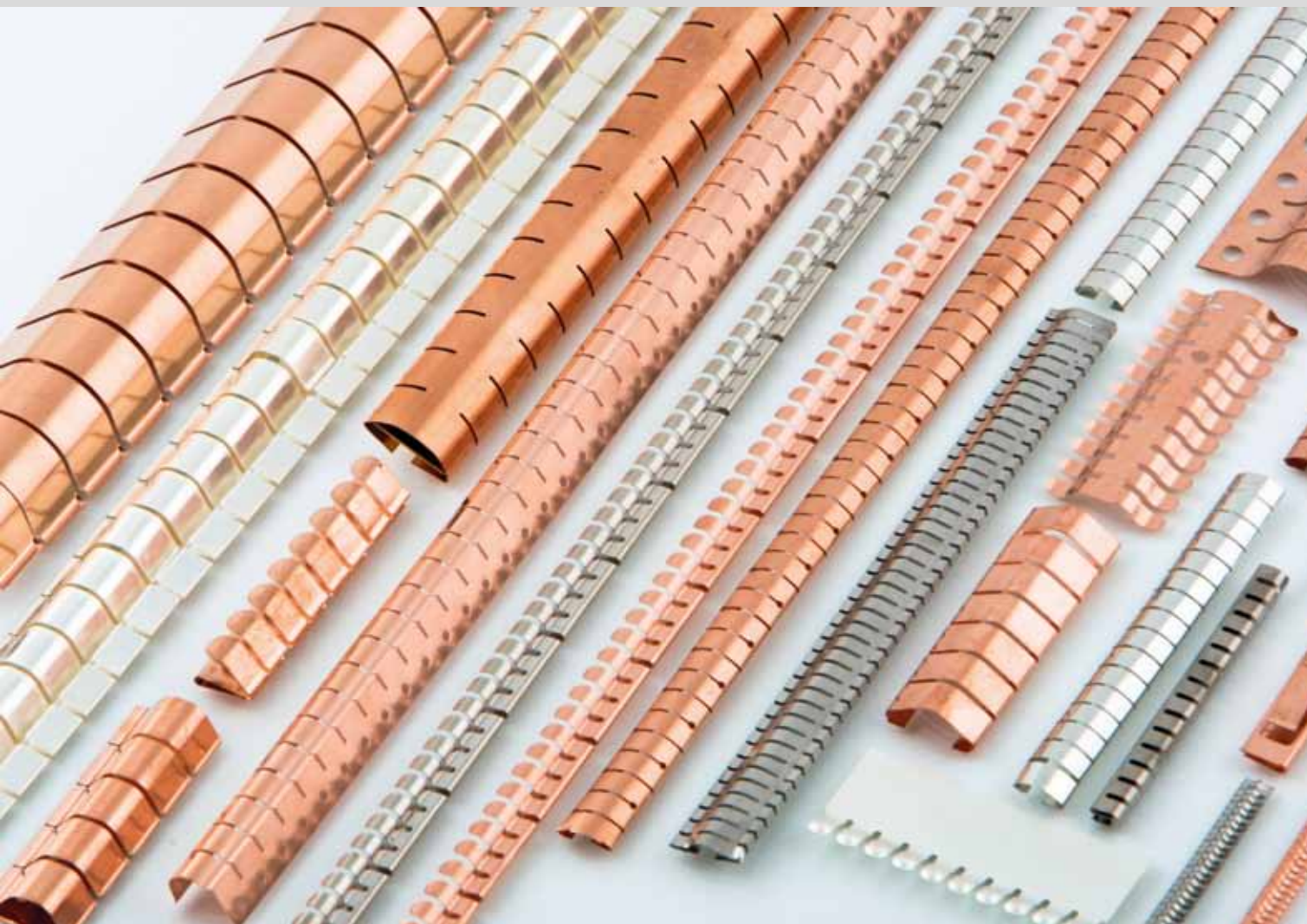


**13.**

**FINGERSTOCK.**



## GENERAL INFORMATION

Contact strips are used to close and thereby shield gaps between two surfaces. For optimum shielding performance, the contact strip must be in position to span the min. and max. gap. The right strip is selected, if its height is 20% greater than the max. gap and if it can be suppressed to the min. gap.

Contact strips are made from beryllium copper showing an excellent spring quality, material strength and flex survival. Further advantages are corrosion resistance and self cleaning of contacts by opening and closing.

Beryllium copper is neither attacked by air, ozone, solvent, UV light nor even by nuclear radiation. It is applicable over a wide temperature range and shows remarkable thermal and electric conductivity. In comparison to other EMI/RFI gaskets, contact strips are lighter and require less closing force. Also they are inflammable and free from outgassing.

### Customizations



The wide assortment with different designs and the simple installation create a universal shielding gasket. Most simple to install is the clip-on and the type with double sided adhesive tape.

The adhesive tape is a non-conductive standard Scotch Y-9469, thickness 0.13 mm, that can be used up to 120° C. Many clip-on strips can be provided with lances to enhance optionally fixing.

Mounting holes allow screw or riveting on. Soldering or spot welding ensure superior transition. With all installation methods the electrochemical reaction must be considered to avoid galvanic corrosion.

Available surface coatings help to eliminate this. Contact strips are stored and delivered cleaned with a bright surface but, upon request, can be chromated, tin plated, zinc plated, as well as silver plated.

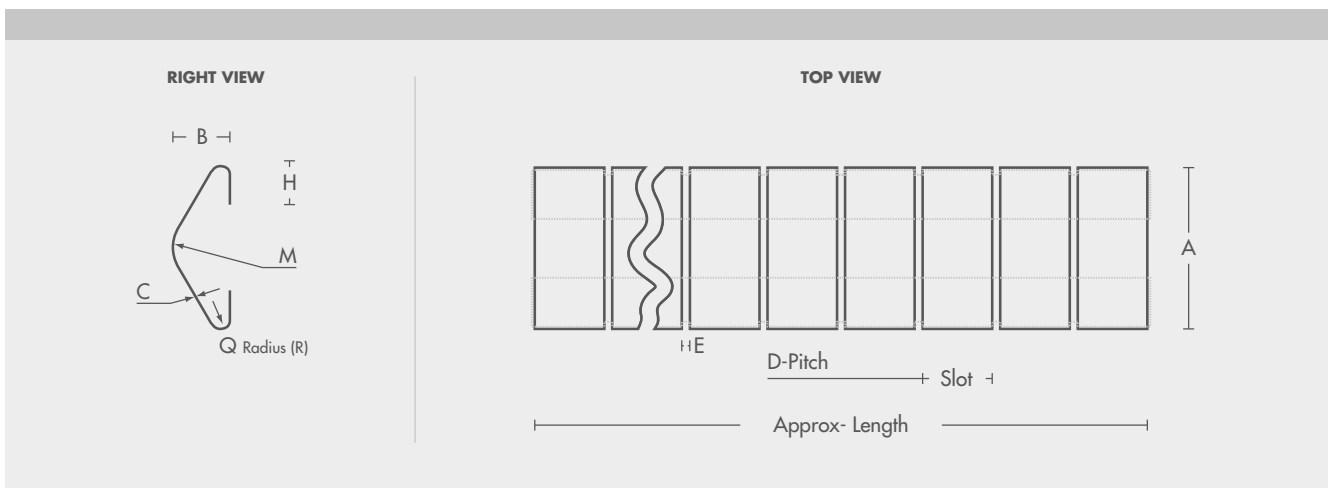
When using the correct compression force the contacts will not be damaged and thereby maintain their spring effect. No-sag contact strips are contact springs internally connected to both ends to prevent the contact from breaking off and thus causing shunts in the electronic equipment.

## SLOT MOUNT SERIES

**Euro Technologies' Slot Mount Series** of beryllium copper shielding gaskets is designed for use in a wide variety of slotted applications. This economical product line is ideal for both grounding and shielding applications.

- Minimal slot fabrication cost.
- Easy and cost-effective installation since fasteners and adhesives are not required.
- Bi-directional wiping and compression action to accommodate a wide variety of designs.
- Ideal for grounding and shielding in the following electronic enclosure applications.
- Front panel handles - Chassis covers.
- Plug-in units - Backplanes.
- Subrack assemblies.
- Some standards are also available in coils with length of 7,6 m.

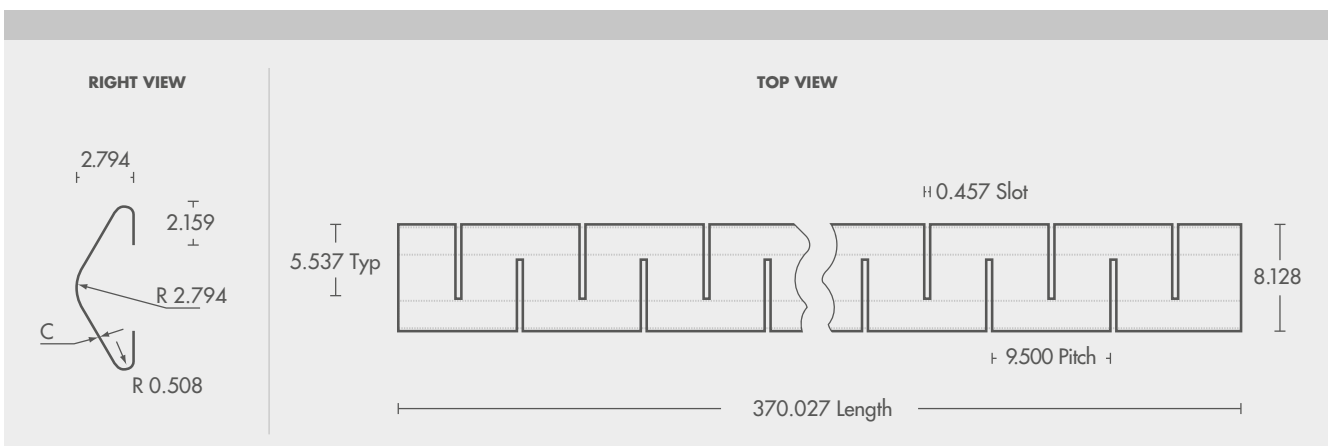
Series	A	B	C	D	E	H	M	Q (R)	Approx. Length
FGSH-001-0X1600	8.128	2.794	0.102	4.750	0.457	2.159	2.794	0.508	406.4
FGSH-002-0X1600	15.240	5.588	0.127	7.163	0.813	3.556	4.572	1.016	406.4
FGSH-003-0X0123	9.398	3.301	0.127	6.350	0.635	2.159	2.794	2.286	31.1



## ALTERNATE SLOT SERIES

**Euro Technologies Alternating Slot/Cut** design is designed for use in a wide variety of slotted applications, such as front panel handles, plug-in units, subrack assemblies, chassis covers and backplanes.

The **Alternating Slot/Cut** design serves to enhance the gasket strength, while providing enough flexibility to allow the part to be folded in half with no resultant finger damage. This is especially significant in during installation or repair.



• All dimensions, if not different specified, are in mm.

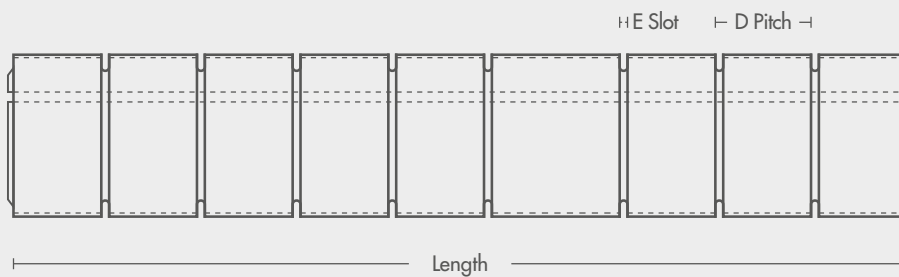
## NO SNAG GASKET

**Euro Technologies No Snag Series** shielding gaskets offer the designer a low compression, no snag design. Provided self-adhesive tape, these beryllium copper shielding gaskets provide easy and secure mounting.

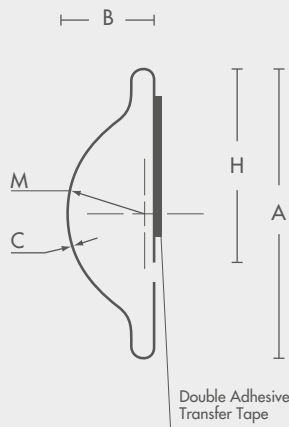
- Shielding effectiveness of > 100 db and 80 dB for a 100 MHz plane wave.
- Easy, cost-effective installation since fasteners are not required.
- Ideal as an all-purpose contact strip for metal cabinets and electronic enclosures.
- Supplied in standard 609 mm lengths or other specified lengths.

AVAILABLE IN A WIDE VARIETY OF PLATED FINISHES

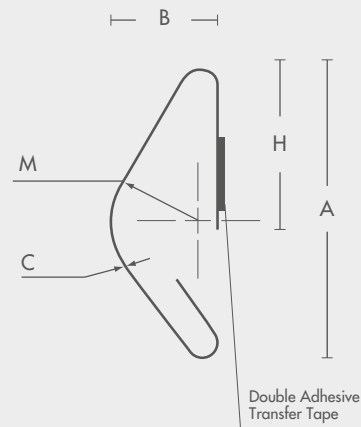
TOP VIEW



SIDE VIEW



SIDE VIEW



Series	A	B	C	D	E	H	M Radius	Approx. Length
FGSH-004-1X2400	8.128	2.794	0.051	4.750	0.457	5.334	2.794	609.6
FGSH-005-1X2400	15.240	5.588	0.102	9.525	0.813	7.112	4.572	609.6
FGSH-006-1X1600	9.398	3.302	0.051	6.350	0.635	5.334	2.794	406.4
FGSH-007-1X2400	20.320	8.128	0.102	9.525	0.813	11.176	4.826	609.6
FGSH-008-1X1600	8.128	2.540	0.889	3.962	0.457	5.334	2.540	406.4
FGSH-009-1X2400	7.112	2.794	0.051	4.750	0.457	4.572	2.540	609.6
FGSH-010-1X2400	27.940	10.160	0.127	12.700	1.016	19.812	10.668	609.6
FGSH-011-1X1600	9.398	3.302	0.102	6.350	0.635	2.540	5.131	406.4
FGSH-012-1X1800	15.240	5.588	0.102	4.750	0.813	7.493	3.810	457.2

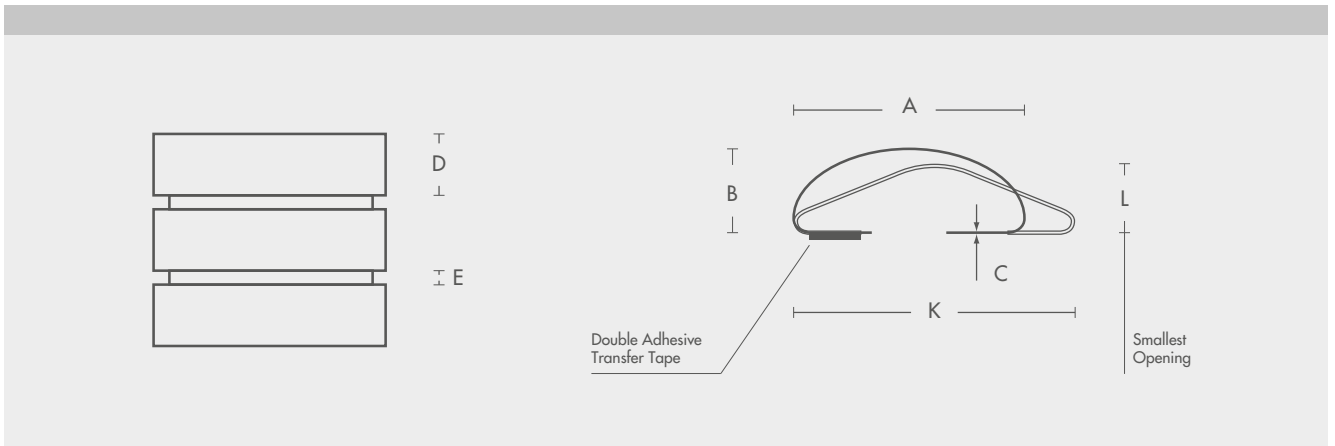
• All dimensions, if not different specified, are in mm.

### SYMMETRICAL SLOTTED SHIELDING

**Symmetrical Slotted Shielding** fingers are low compression, adhesive mounted beryllium copper shielding strips. Designed as a continuous band, the strip is slotted to permit spring contact throughout its length.

A wide radius profile creates the greatest contact for maximum conductivity with minimum compression requirements. As with all Sticky Fingers shielding strips, a self-adhesive tape makes mounting easy and secure.

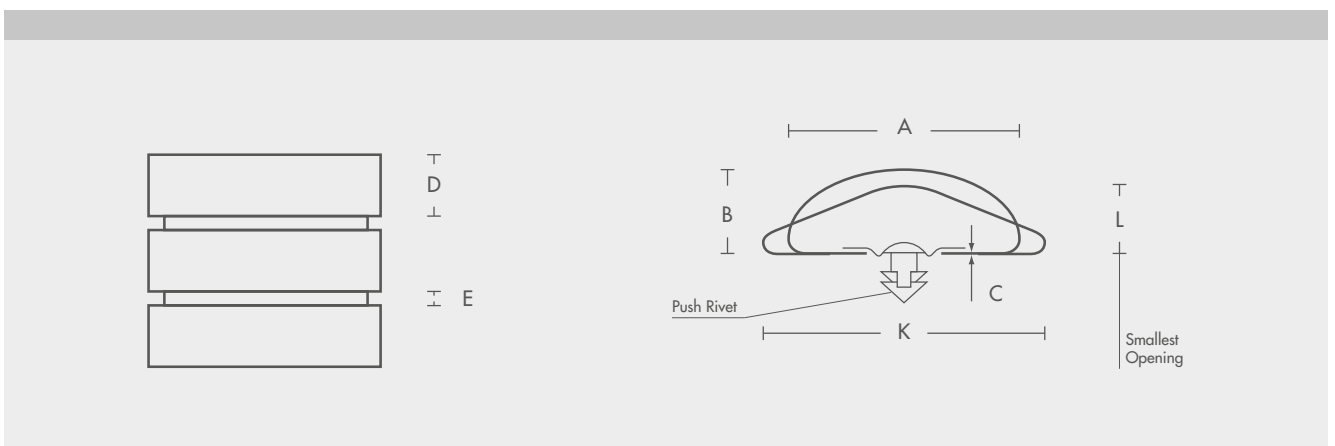
ALL ARE AVAILABLE IN YOUR CHOICE OF FINISHES



Series	A min.	B	C	D	E	K	L	Approx. Length
FGSH-013-1X1500	11.430	3.556	0.076	6.350	0.559	12.954	1.778	381.0

### RIVET MOUNT

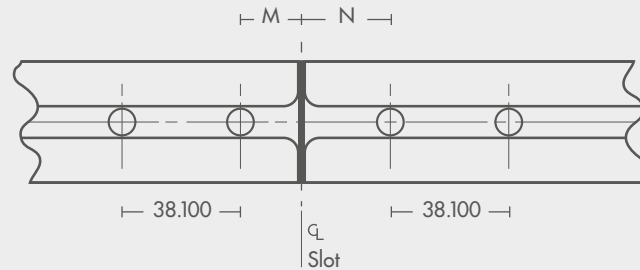
Series	A	B min.	C	D	E	K	L	Approx. Length
FGSH-014-0X0940	15.748	5.588	0.102	9.525	0.762	19.304	2.540	381.0
FGSH-015-0X0880	11.430	3.556	0.076	6.350	0.559	12.954	1.778	381.0
FGSH-016-0X0840	8.890	2.794	0.076	4.750	0.457	9.652	1.778	381.0
FGSH-077-1X1500	8.890	2.794	0.076	4.750	0.457	9.652	1.397	381.0



• All dimensions, if not different specified, are in mm.

**RIVET SPACING**

Series	M	N	N. of Rivets
FGSH-014-0X0940	14.224	23.876	10
FGSH-015-0X0880	16.002	22.352	10
FGSH-016-0X0840	16.764	21.336	10



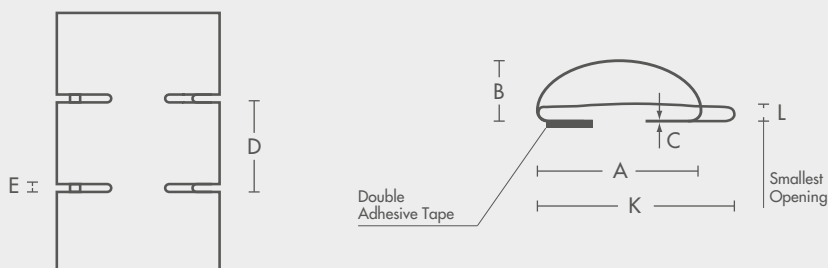
**SOLID TOP SYMMETRICAL SLOTTED SHIELDING GASKET**

**Euro Technologies** offers their **Solid Top Symmetrical Slotted Shielding Gaskets**. This product is uniquely designed for those applications where a lid or cover is closed using a sliding motion to complete the closure. The solid top design allows the cover to slide either perpendicularly or parallel to the fingerstock without snagging or damaging the gasket.

The newly designed symmetrical shielding offers all the advantages, having a large radius for maximum conductivity with minimum compression forces.

- Solid top provides an additional 10 dB of shielding effectiveness.
- Offered in both rivet mount and tape mount versions.
- Generous radii provide maximum conductivity with minimum compression forces.
- Parts can be modified and/or cut to any specific length.
- For longitudinal sliding applications, a retention clip is recommended for secure mounting.

**AVAILABLE IN STANDARD OR SOFT VERSIONS**



• All dimensions, if not different specified, are in mm.

Series	A min.	B	C	D	E	K	L	Approx. Length
FGSH-017-0X1500	11.430	3.556	0.076	6.350	0.559	12.954	1.778	381.0
FGSH-018-0X1500	8.890	2.794	0.076	4.750	0.457	9.652	1.778	381.0

### CLIP-ON SYMMETRICAL SHIELDING

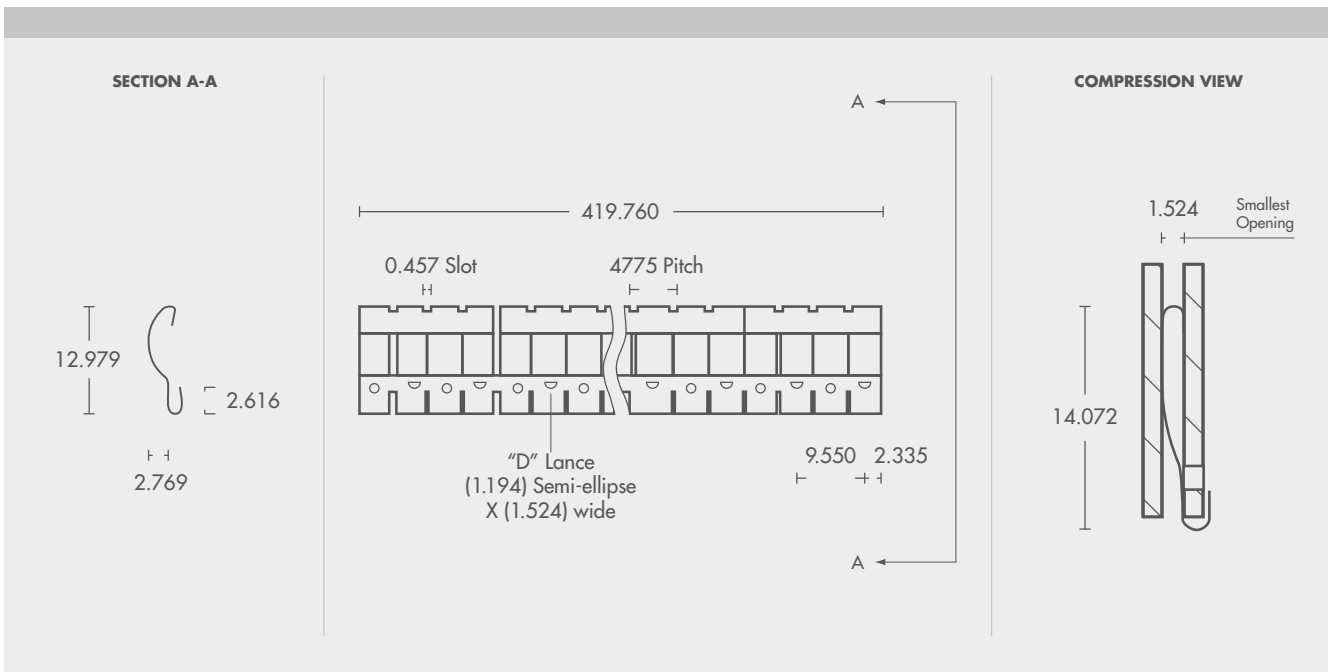
**Euro Technologies** has designed a new **Clip-on Shielding** gasket for applications where bi-directional engagement is required.

**Symmetrical Shielding Gaskets** have been designed to function equally well in applications requiring sliding movement or direct compression.

- Supplied with standard “D” Lance ensuring secure holding power when snapped into a prefabricated hole.
- “D” Lance provides both multi-directional grip and excellent conductivity.
- Wide radius profile allows for maximum contact with minimum compression force.
- Clip-On feature allows part to be used in high temperature (120 °C) applications where adhesives will not function
- Ideally suited for cardcage handles, PC board grounding or any other application requiring clip-on feature and wiping action.
- Shielding effectiveness of 100 dB @ 100 MHz.

AVAILABLE IN SOFT SERIES LOW FORCE VERSION

AVAILABLE IN A WIDE VARIETY OF PLATING FINISHES



• All dimensions, if not different specified, are in mm.

**ALL-PURPOSE SERIES**

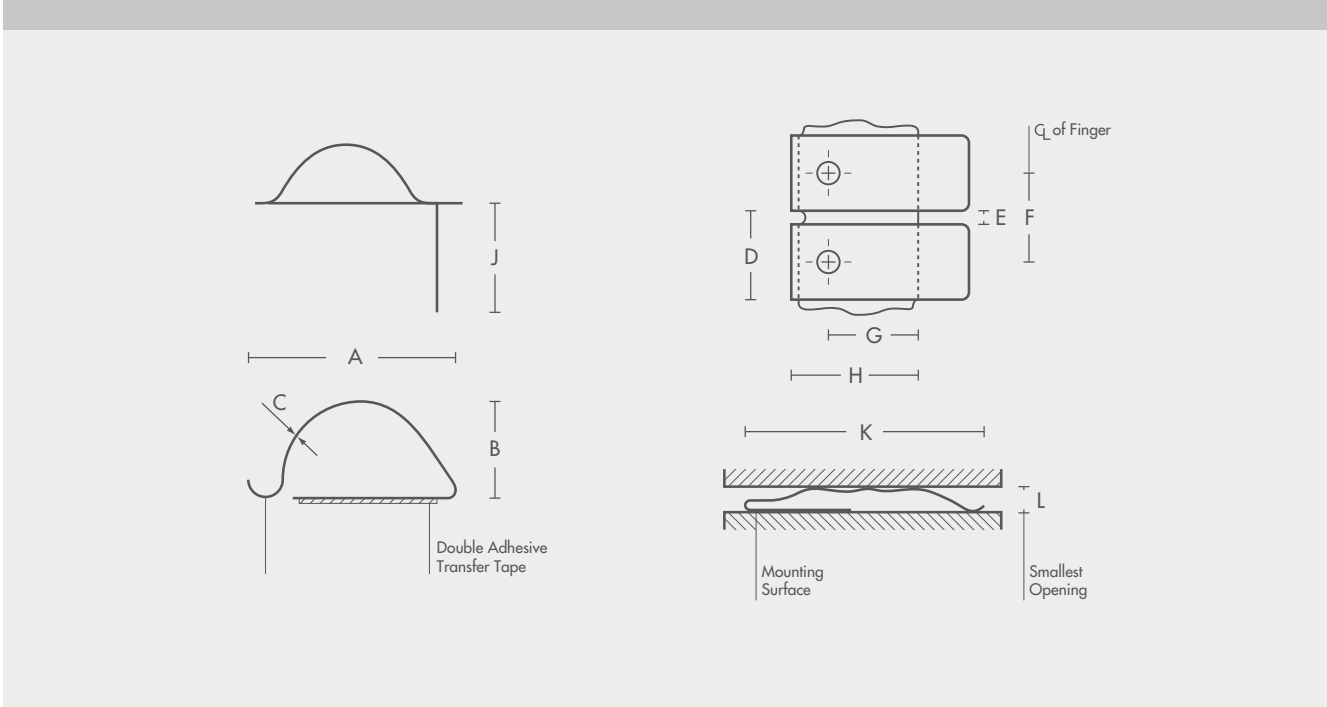
These versatile gaskets are made from high-performance beryllium copper with self-adhesive backing. They provide an extremely tight, instant bond and are ideal as an all-purpose contact strip for metal cabinets and electronic enclosures, particularly where space is critical.

Magnetic field shielding effectiveness of these strips has been proven to be > 46 dB for a 14 kHz plane wave and 108 dB for a 10 GHz plane wave. When tested per MIL-STD-285 for electromagnetic shielding, these strips showed superior performance under minimum compression.

They proved to be especially effective where variations exist in the space to be shielded and in applications that require high shielding performance despite frequent opening and closing of the cabinet.

**ALL ARE AVAILABLE IN YOUR CHOICE OF FINISHES**

Series	A Min.	B	C	D	E	F	G	H	I	J	K	L	Approx. Length
FGSH-019-1X2400	15.240	5.842	0.102	9.525	0.813	9.652	7.874	12.700	2.032	N/A	19.558	1.016	609.6
FGSH-020-1X2400	15.240	5.842	0.102	9.525	0.813	9.652	7.874	12.700	2.032	N/A	19.558	1.016	609.6
FGSH-021-1X2400	17.018	7.874	0.102	9.525	1.016	9.652	9.652	13.462	3.556	N/A	23.876	3.556	609.6
FGSH-022-1X2400	19.812	6.350	0.127	9.525	1.016	9.652	9.652	13.462	3.556	N/A	23.876	2.032	609.6
FGSH-023-1X1600	7.112	2.794	0.076	4.775	0.457	4.826	2.032	5.842	1.524	N/A	9.398	1.651	406.4
FGSH-024-1X1600	6.604	2.794	0.076	4.775	0.457	4.826	2.032	N/A	1.524	6.096	9.398	1.651	406.4



**AVAILABLE IN COIL**

• All dimensions, if not different specified, are in mm.



## CLIP-ON SERIES

This series from **Euro Technologies** is designed for use where high temperature or other design considerations preclude the use of adhesive-mounted gasketing. Yet it provides the same shielding characteristics and effectiveness as on mounted series. **Clip-On Gaskets** offer shielding effectiveness >100 dB for 100 MHz plane wave.

ALL ARE AVAILABLE IN YOUR CHOICE OF FINISHES

## "D" LANCE

This configuration has been designed specifically to provide outstanding holding power. **"D" Lances** snap into drilled or punched holes in the mounting surface to create a strong omni-directional grip with excellent conductivity.

## "T" LANCE

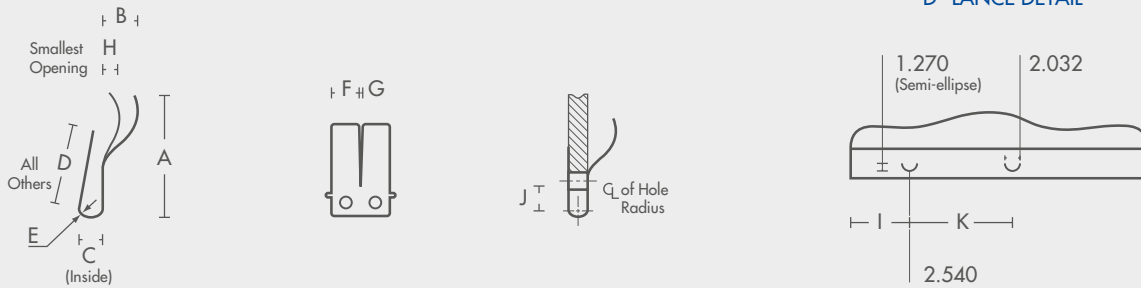
Ideal for use with softer materials, such as aluminium or plated plastic. **"T" Lances** bite into the mounting surface and preserve electrical conductivity. **Euro Technologies' Mini Clip-On Gaskets** are designed for use on today's thinner, lighter materials.

Series	A	B	C	D	E	F	G	H
FGSH-025-0X1600	9.652	5.080	2.540	8.382	0.127	6.350	1.016	1.524
FGSH-026-0X1600	8.382	7.112	1.778	9.652	0.127	6.350	1.016	2.540
FGSH-027-0X1600	9.652	5.080	1.778	9.652	0.127	6.350	1.016	1.524
FGSH-028-0X1600	8.382	7.112	1.778	9.652	0.127	6.350	1.016	2.540
FGSH-029-0X1600	7.620	2.540	1.778	4.826	0.127	4.623	1.194	1.524
FGSH-030-0X1600	10.668	3.048	2.540	6.350	0.127	4.750	1.194	2.413
FGSH-031-0X1600	11.176	2.032	1.270	4.826	0.127	4.750	1.194	1.143
FGSH-032-0X1600	11.176	2.032	1.778	4.826	0.127	4.750	1.194	1.143
FGSH-033-0X1600	11.176	3.048	1.778	4.826	0.127	4.902	1.168	1.905
FGSH-034-0X1600	10.668	2.032	1.778	4.750	0.127	4.750	1.194	1.143
FGSH-035-0X1600	15.240	5.334	2.540	5.842	0.127	4.750	1.194	1.778
FGSH-036-0X1600	27.686	6.604	1.778	7.112	0.127	9.525	1.016	1.524
FGSH-037-0X2400	5.334	1.778	1.143	6.350	0.076	5.080	0.762	0.254
FGSH-038-0X2400	6.985	2.036	1.016	7.112	0.152	6.350	0.762	0.762

• All dimensions, if not different specified, are in mm.

**FGSH-029/030/031/032/033/034/035/036**

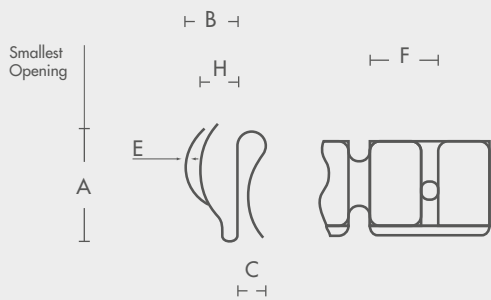
**VIEW 1**



**FGSH-025/026/027/028**

**VIEW 2**

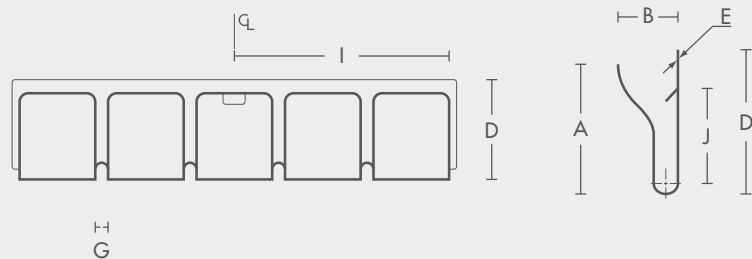
**CLIP-ON SERIES**



**FGSH-037/038**

**VIEW 3**

**MINI CLIP ON**



Approx. Length	No Lance	Square Lance	"T" Lance	"D" Lance	I	J	K	Slot	Sol
406.4	-	-	-	X	6.350	2.515	12.700	X	-
406.4	-	-	X	-	5.842	5.182	12.700	X	-
406.4	-	-	-	X	6.350	4.089	12.700	X	-
406.4	-	-	-	X	6.350	4.089	12.700		
406.4	-	-	-	X	9.246	1.372	18.491	X	-
406.4	X	-	-	-	-	-	-	-	X
406.4	X	-	#	#	-	-	-	-	X
406.4	X	-	#	#	-	-	-	-	X
406.4	-	-	-	X	7.366	1.524	18.415	X	-
406.4	-	-	-	X	13.462	1.626	25.400	-	X
406.4	X	-	#	#	-	-	-	-	X
406.4	X	-	#	#	-	-	-	-	X
609.6	-	-	-	X	12.319	3.378	25.400	X	-
609.6	-	-	-	X	12.700	12.700	25.400	-	X

X = Standard. # = On request.

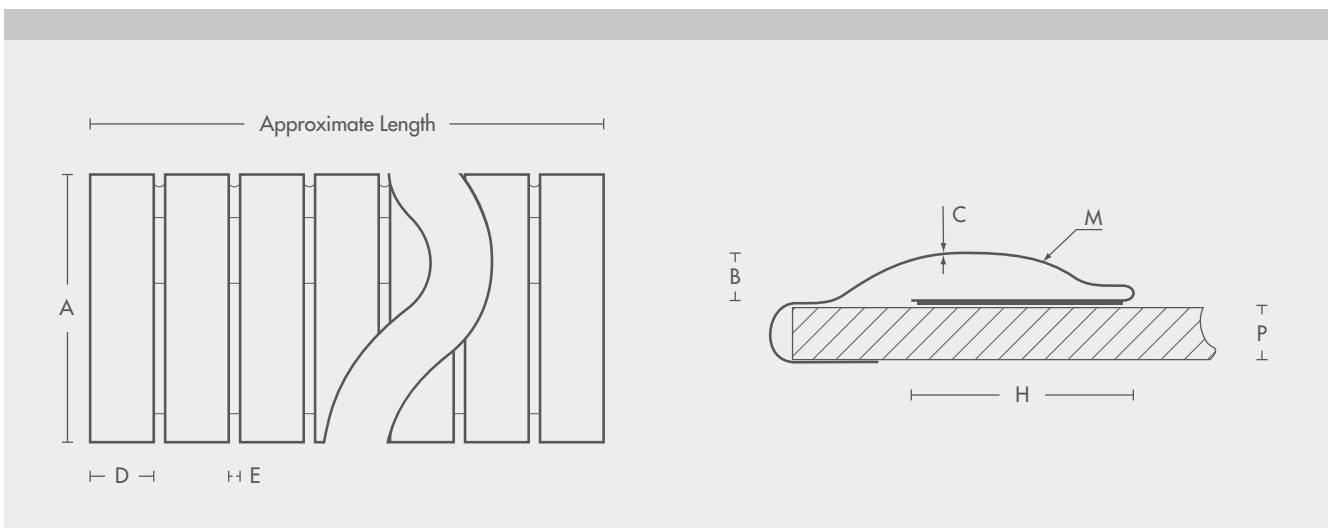
• All dimensions, if not different specified, are in mm.

### LOW PROFILE HOOK-ON GASKET

**Euro Technologies** offers its line of **Low Profile** beryllium copper shielding fingerstock. Simple installation is accomplished by hooking one end of the gasket onto the edge of the housing. The other end is secured with pressure sensitive adhesive (PSA) with extra-wide release liner and designed with a teardrop feature to improve surface contact. Ideally suited for low profile, bi-directional applications such as the rack mounting of linecards in telecommunications equipment. The gaskets offer high shielding performance in applications where space may be limited.

- Dual attachment provides a no snag gasket with secure retention, which allows bi-directional wiping action.
- Incorporates extra wide release liner to facilitate easy installation.
- Wide variety of plating finishes are available to meet your galvanic compatibility requirements.
- Offered in standard lengths of 411.480 mm or cut to your desired length.

AVAILABLE IN SOFT VERSION



Series	A	B	C	D	E	H	M	P	Approx. Length	N. of Fingers
FGSH-040-1X1620	11.430	1.524	0.102	3.175	0.457	6.782	5.080	1.575	411.5	130
FGSH-041-1X1620	15.240	2.286	0.102	3.175	0.457	8.357	5.080	1.575	411.5	130

### LOW PROFILE GASKET

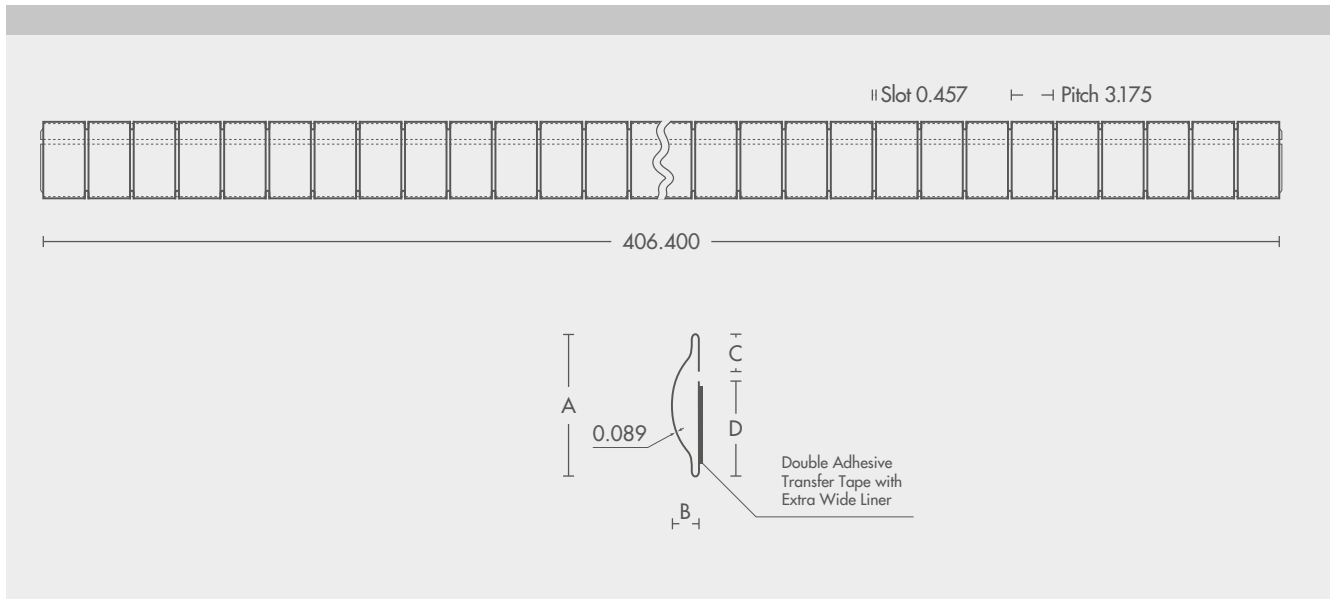
**Euro Technologies** offers its line of low profile beryllium copper shielding fingerstock. The gaskets are provided with pressure sensitive adhesive tape with an extra wide release liner to facilitate secure placement and ease of application.

- Ideally suited for limited space applications as low as 1.52 mm.
- Works well in both compression and bi-directional applications.
- High shielding effectiveness; average 90 dB from 10 kHz to 1 GHz.
- Extra wide release liner of pressure sensitive tape provides for easy, cost-effective installation.
- Low compression force.
- Offered in standard lengths of 406.4 mm, or cut to your desired length.

AVAILABLE IN SOFT VERSION

AVAILABLE IN A WIDE VARIETY OF PLATED FINISHES

• All dimensions, if not different specified, are in mm.



**Series**

FGSH-039-1X1600

**A**

11.430

**B**

2.032

**C**

3.073

**D**

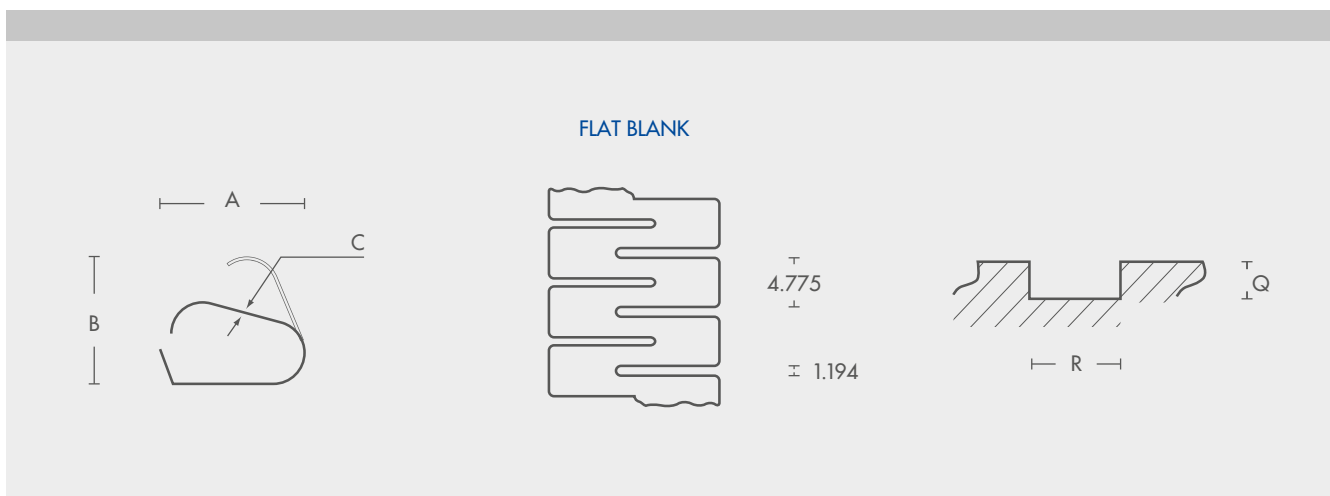
6.665

**FLEXIBLE LOW COMPRESSION SERIES**

Are low compression, flexible beryllium copper contact strips for applications where a continuous shield must conform to irregular shapes and turn tight radius corners in either direction.

Simple snap-in installation is possible. However, soft solder or conductive adhesive can be used for mounting to flat surfaces. Shielding effectiveness is >115 dB for a 100 MHz plane wave.

**AVAILABLE IN STANDARD 609.6 MM LENGTHS IN ALL STANDARD FINISHES**



**Series**

FGSH-042-0X2400

**A**

6.604

**B**

5.842

**C**

0.076

**L**

3.556

**Q**

3.048

**R**

6.350

**Approx. Length**

609.6

• All dimensions, if not different specified, are in mm.

**TWIST SERIES**

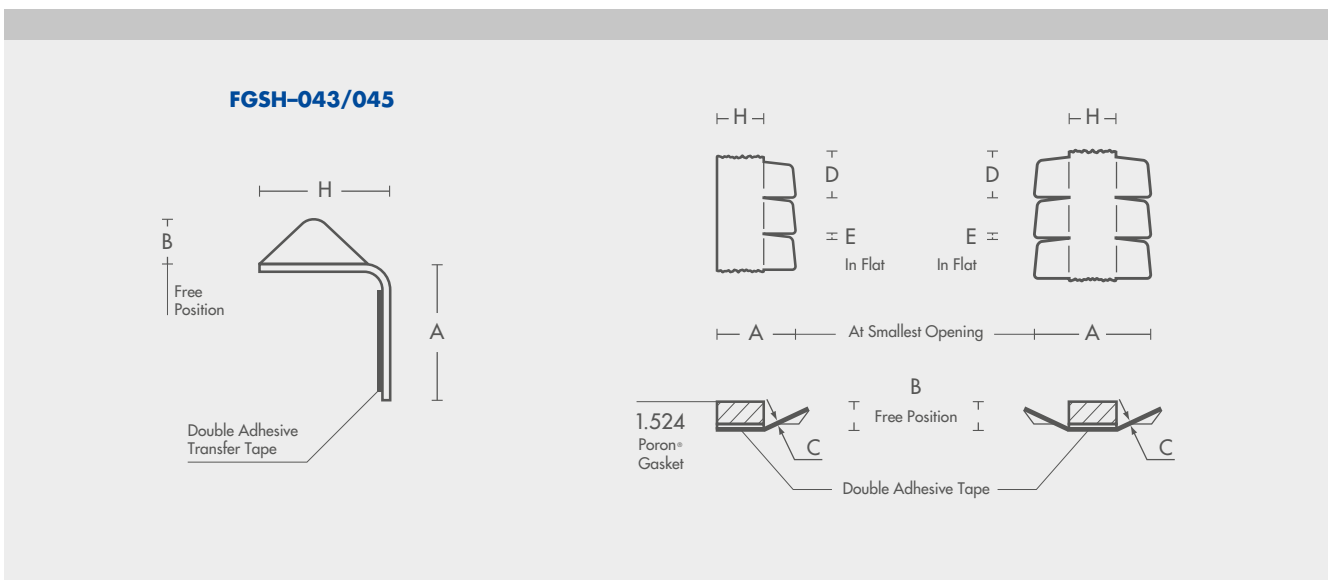
Adhesive-mounted beryllium copper contact strips with scientific twist design offer narrow electronic gaskets for general shielding applications.

Different widths are available to suit your specific application for single edge contact strips. Also available are two 90 degree versions to provide alternate mounting capability.

Their unique double-edge design permits panels to be removed easily and replaced without damage to the installed strip.

- All Twist Series strips are furnished in 609.6 mm lengths.
- Some strips are also available in standard coils in length of 7.6 m.
- Right angle product configurations are not available in coils.

ALL ARE AVAILABLE IN YOUR CHOICE OF FINISHES



Series	A	B	C	D Pitch	E Slot	H	Approx. Length
FGSH-043-1X2400	4.064	0.762	0.076	2.413	0.381	2.032	609.6
FGSH-044-1X2400	8.636	1.778	0.076	4.191	0.381	4.572	609.6
FGCH-044-1X	8.636	1.778	0.076	4.191	0.381	4.572	7.6 m
FGSH-045-1X2400	5.080	1.778	0.076	4.191	0.381	2.794	609.6
FGSH-046-1X2400	7.620	1.778	0.076	4.191	0.381	4.572	609.6
FGCH-046-1X	7.620	1.778	0.076	4.191	0.381	4.572	7.6 m
FGSH-047-1X2400	12.700	1.778	0.076	4.191	0.381	4.826	609.6
FGCH-047-1X	12.700	1.778	0.076	4.191	0.381	4.826	7.6 m

• All dimensions, if not different specified, are in mm.

## CLIP-ON TWIST SERIES

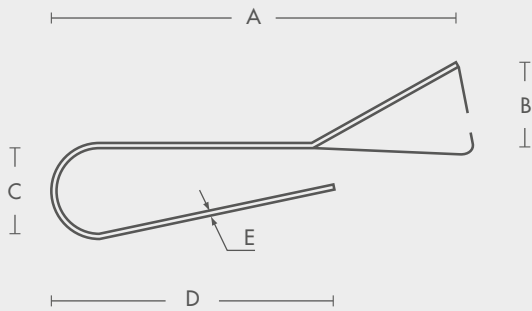
Ideal for general shielding applications where mounting space is at a premium, **Clip-On Twist Series** strips combine the performance advantages of scientific twist design with the strength of clip-on mounting.

**Clip-On Twist Series** gaskets are offered in four different widths, each available in either equal leg or offset leg configurations. In addition, each offset leg configuration is available with Poron rubber environmental gaskets for dust and moisture resistance, as well as with "D" lances that snap into 2.54 mm diameter holes to provide added mounted strength.

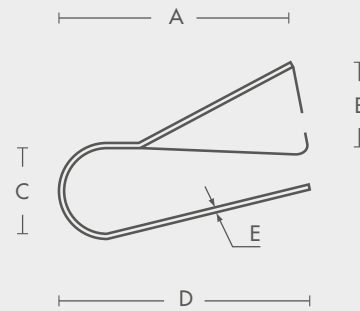
This series offers shielding effectiveness > 115 dB for a 100 MHz plane wave and is provided in **standard 406.4 mm lengths**.

ALL ARE AVAILABLE IN YOUR CHOICE OF FINISHES

**FGSH-049/050**



**FGSH-048**



Series	A	B	C	D	E	Pitch	Slot	Approx. Length
FGSH-048-0X1600	3.810	0.762	1.778	3.810	0.076	2.413	0.381	406.4
FGSH-049-0X1600	9.601	1.905	1.778	6.350	0.076	4.191	0.381	406.4
FGSH-050-0X1600	6.985	0.762	1.270	4.445	0.076	2.413	0.381	406.4

• All dimensions, if not different specified, are in mm.

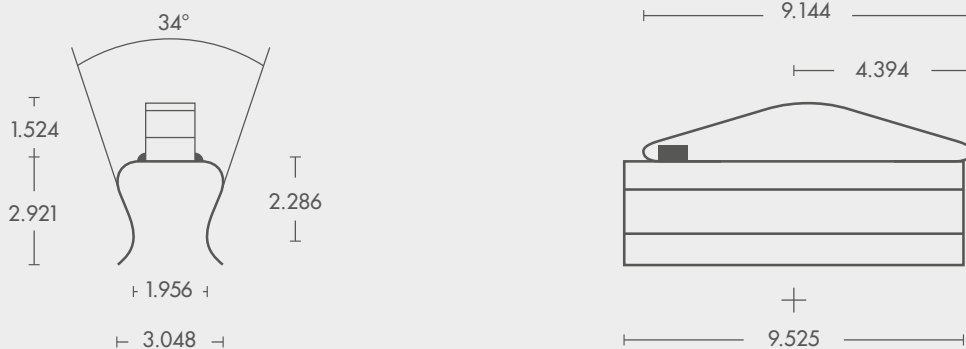
### CARD GUIDE CLIP-ON

**Euro Technologies** introduces the **Card Guide Clip-On**, which offers excellent grounding contact from the PC board to a card guide on a rack. The unique snap-in feature of the contact finger prevents any potential snagging. This allows for bi-directional sliding contact. The **Card Guide Clip-On** gasket installs to the edge of the board and makes contact with ground trace on the card.

The card then slides into the card guide on the rack. Low compression forces allow for easy installation of the card.

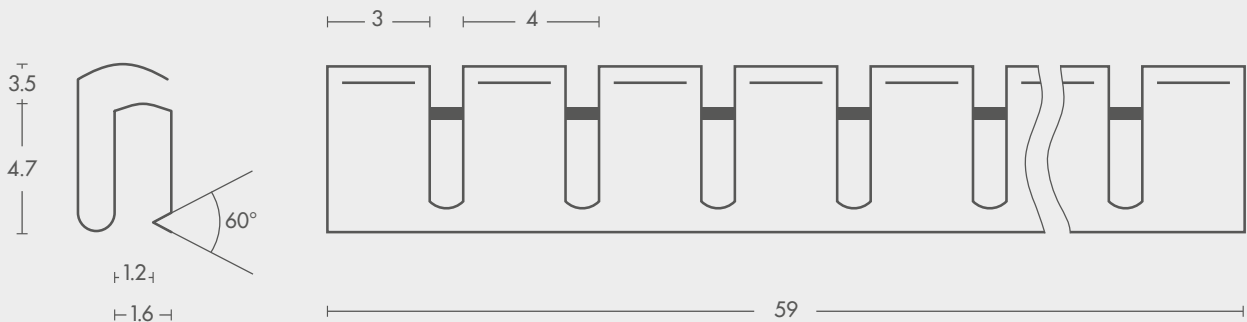
- Easily installs onto PC board.
- Provides for bi-directional wiping that eliminates snagging.
- Ideal, inexpensive solution for grounding applications.
- High-performance beryllium copper can be plated with a wide variety of finishes for galvanic compatibility.
- Designed for board thicknesses of 2.16 mm to 2.54 mm.
- Design capabilities available to handle other board thicknesses and custom applications.

**FGSH-079-0x0038**



**POSSIBILITY TO BE SUPPLIED FROM 1 TO 15 SPRINGS**

**FGSH-088-0x0232**

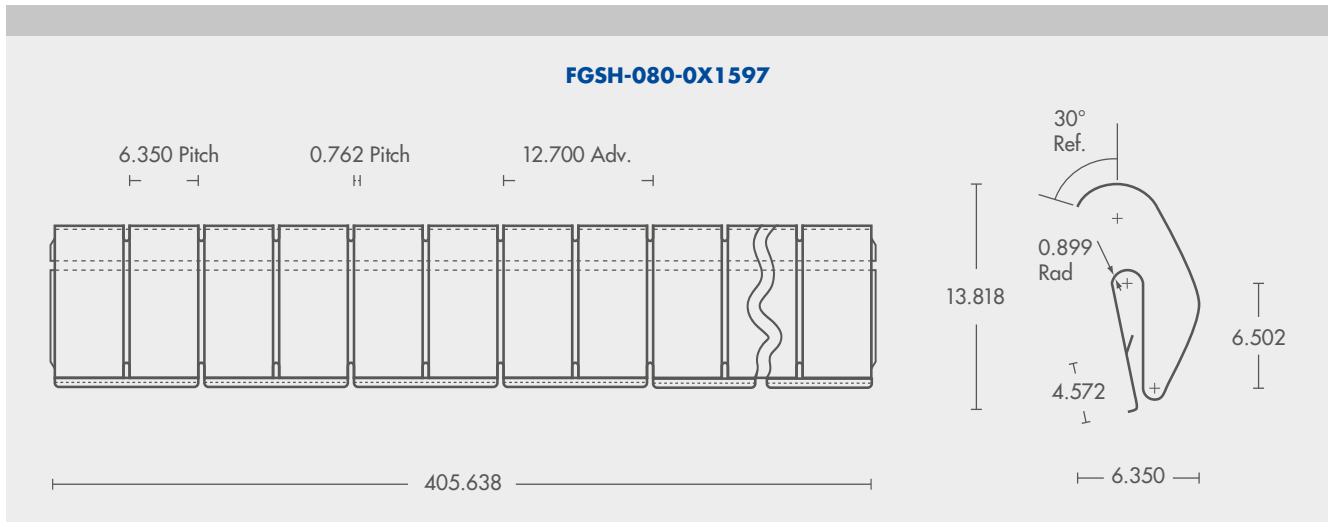


• All dimensions, if not different specified, are in mm.

### CLIP-ON PERPENDICULAR SHIELDING

This product offers a **Clip-On** design that permits shielding to a perpendicular surface.

- Finger design allows for continuous contact across the length of the strip.
- Clip-on design is ideal where high temperature or other design considerations preclude the use of adhesive-mounted gasketing.
- "D" Lance design provides excellent retention of gasket and allows for a strong omni directional grip.
- Supplied in a wide variety of plating finishes.
- Shielding effectiveness of > 80 dB for a 10 MHz plane wave. For load/deflection data.

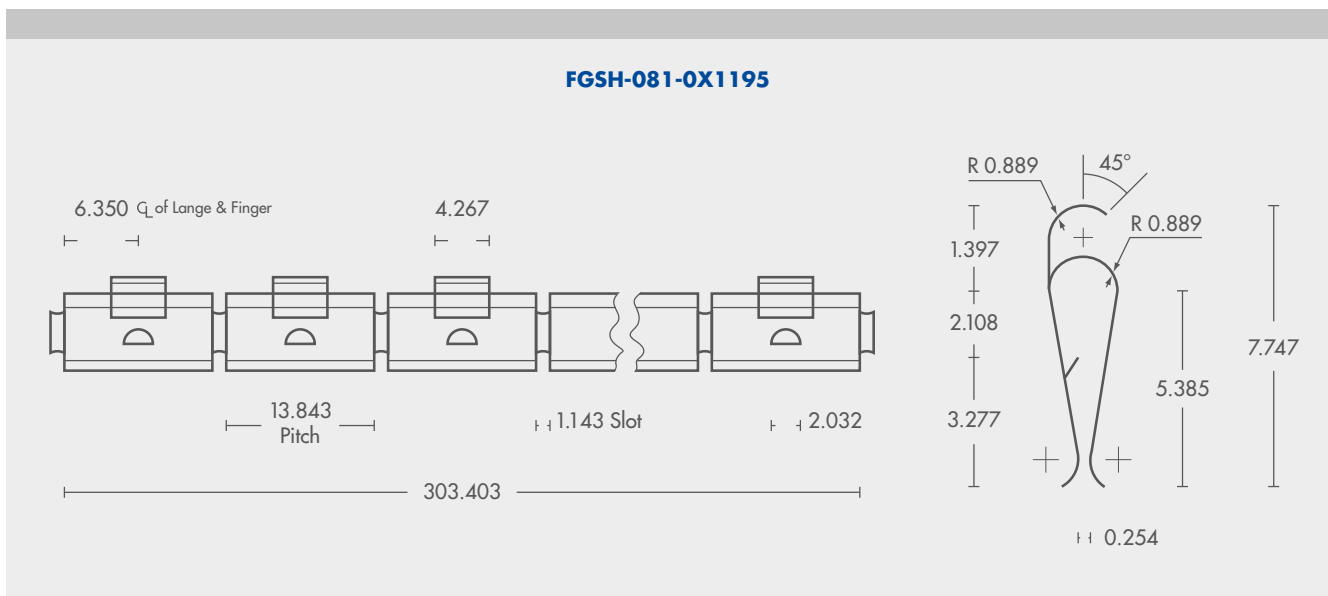


### CLIP-ON PERPENDICULAR GROUNDING STRIP

**Euro Technologies** offers **the first Clip-On design** which allows grounding to occur between perpendicular surfaces.

- Unique finger extension provides grounding from card or motherboard to a backplane housing.
- Finger height provides wide operating range.
- Wide clip-on area with "D" Lance gives additional reliable retention.

**AVAILABLE IN A WIDE VARIETY OF PLATING FINISHES**



• All dimensions, if not different specified, are in mm.



### MINI-LONGITUDINAL GROUNDING GASKET

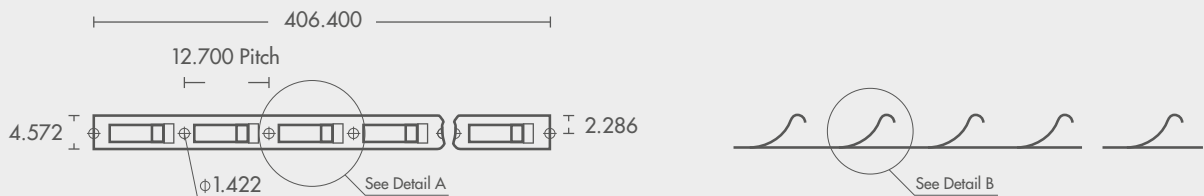
The **Mini-Longitudinal Grounding Gasket** is designed to accommodate small applications which often require lower compression forces.

- Allows a longitudinal sliding motion over the length of the gasket.
- Ideal for rack-mounted, sliding door or side panel and drawer assemblies.
- Mounting methods include conductive tapes, rivets or screws.
- Miniaturized design includes extremely narrow width and low standing height.

AVAILABLE IN A WIDE VARIETY OF PLATED FINISHES

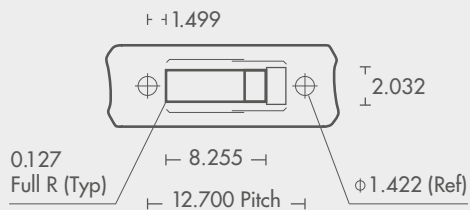
AVAILABLE IN SOFT LOW COMPRESSION VERSION

#### FGSH-082-0X1600

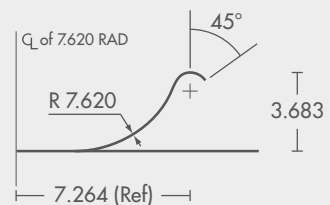


#### FGSH-082-0X1600

DETAIL A



DETAIL B



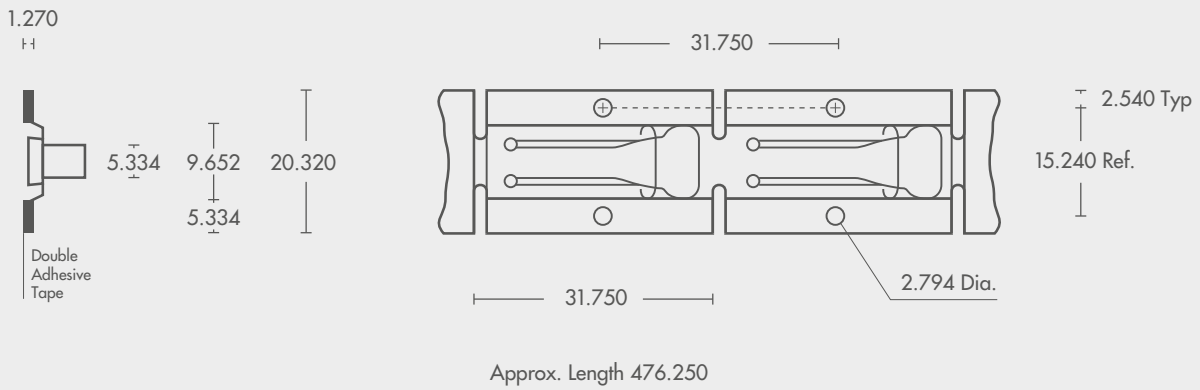
• All dimensions, if not different specified, are in mm.

## LONGITUDINAL GROUNDING SERIES

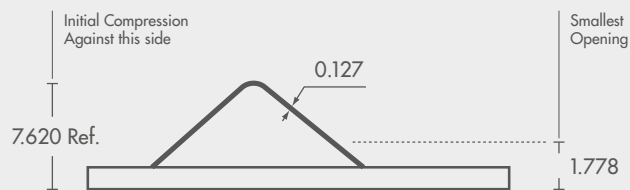
This series of beryllium copper strips combines finger compression with the direction of motion in the longitudinal axis.

- Ideal for use with rack-mounted and slide drawer assemblies.
- Provides reliable and complete grounds.
- Typical installation methods include hardware mounting or use of self-adhesive strip.
- In standard finishes.

**AVAILABLE IN SOFT COMPRESSION VERSION**



### FGSH-083-0X1875

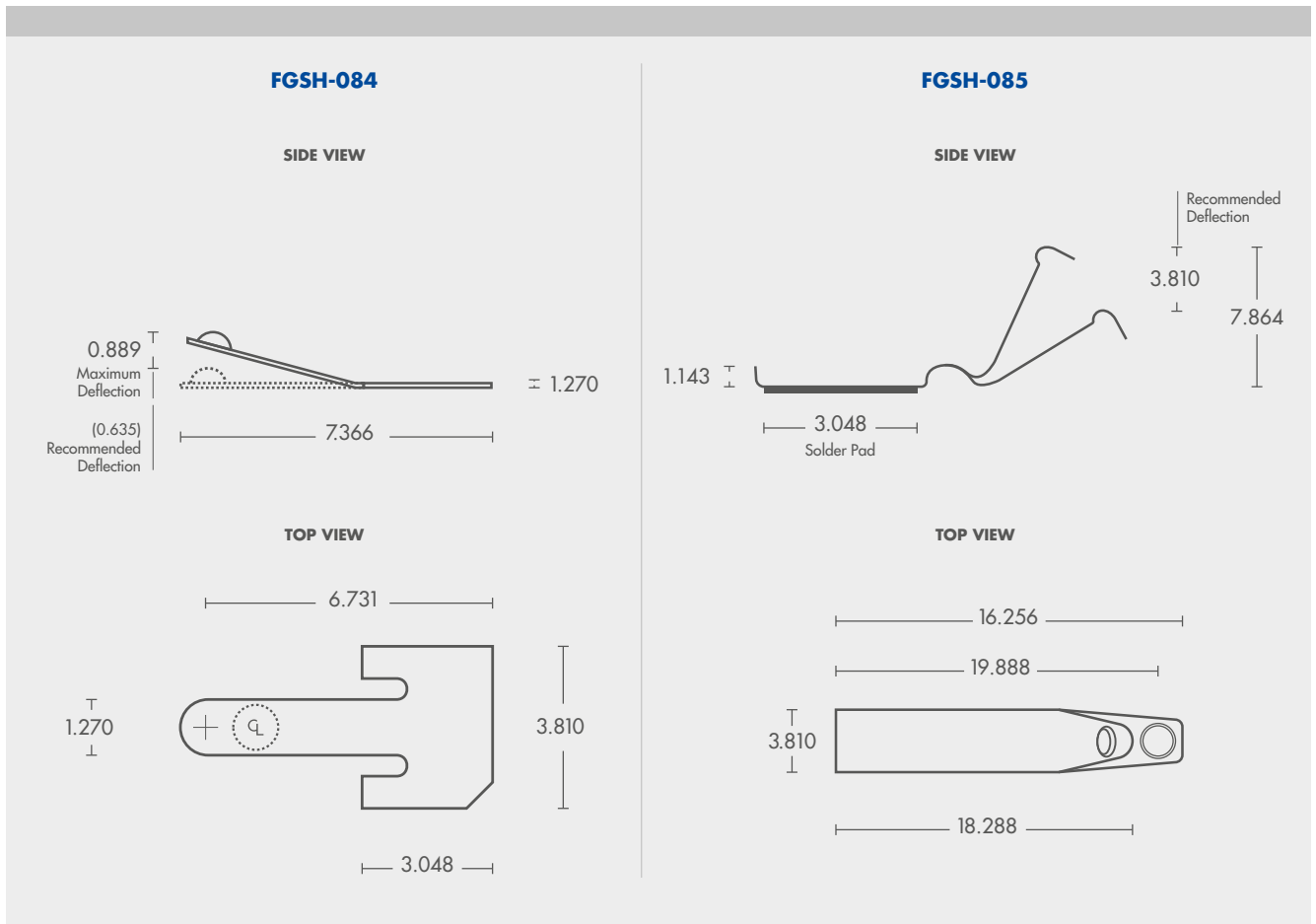


• All dimensions, if not different specified, are in mm.

## BATTERY CONTACTS

**Euro Technologies** announces the addition of a **Battery Contact** product line. These high-performance battery contacts are suitable for coin battery applications, battery pack contact applications and AA/AAA battery applications. Supplied in heat treated beryllium copper, the contacts offer superb contact force and a large compression range.

- All contacts are surface mounted and require solder pads, which is thru-pin mounted and requires mount holes.
- Custom designs can be developed by calling our application engineers.



AVAILABLE IN TAPE AND REEL PACKAGING FOR HIGH VOLUME PICK-AND-PLACE ASSEMBLY

AVAILABLE IN A VARIETY OF PLATED FINISHES FOR GALVANIC COMPATIBILITY

- All dimensions, if not different specified, are in mm.

**CONTACT STRIPS**

**Contact Strips** are used for grounding and shielding in high-frequency equipment and for forming large diameter contact rings. A wide variety of beryllium copper **Contact Strips** provides engineers and designers with flexibility in solving grounding and shielding problems. Various lengths, widths, thicknesses, contours and hole locations are possible for many of the standard catalog items shown here.

AVAILABLE IN SOFT LOW COMPRESSION VERSION

FIG. A

**FGSH-052**

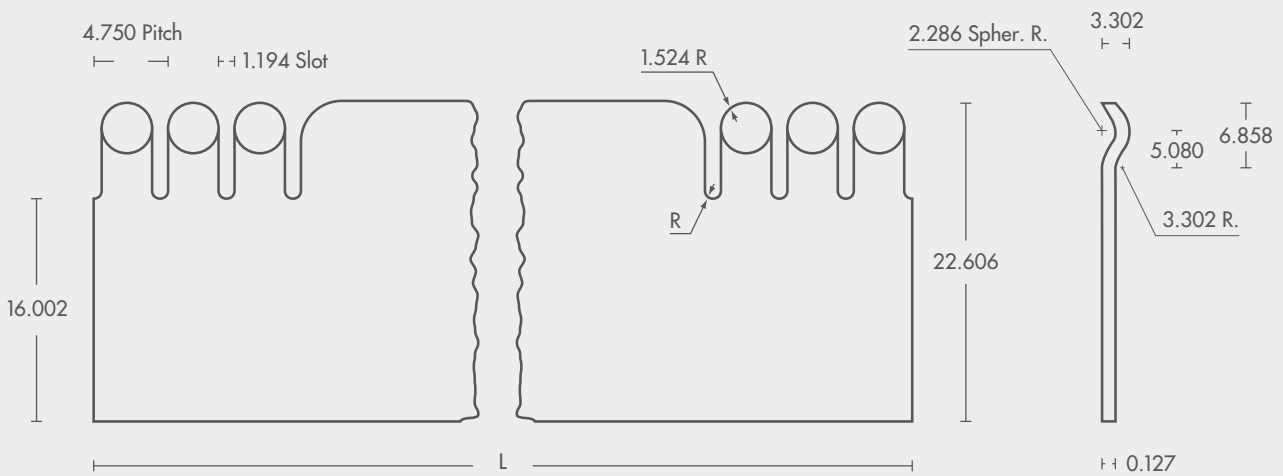
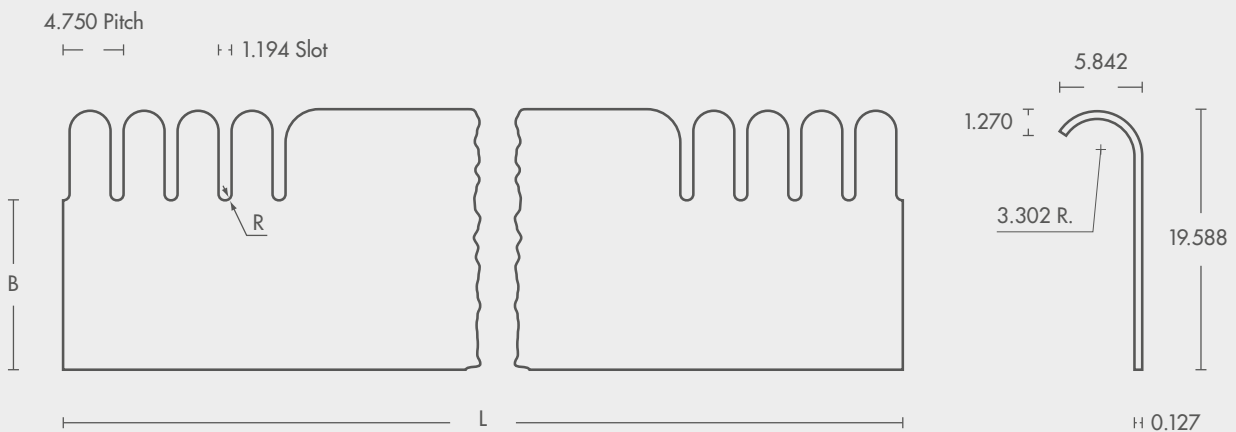


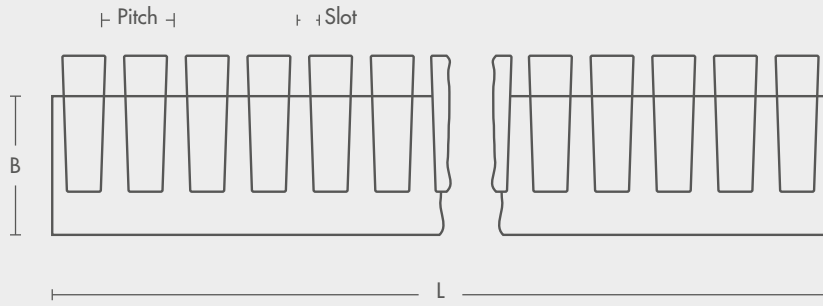
FIG. C

**FGSH-051**

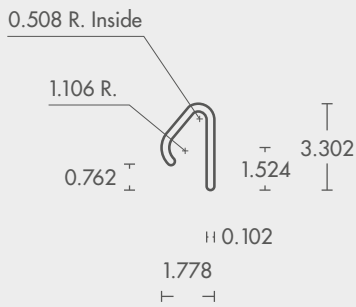


• All dimensions, if not different specified, are in mm.

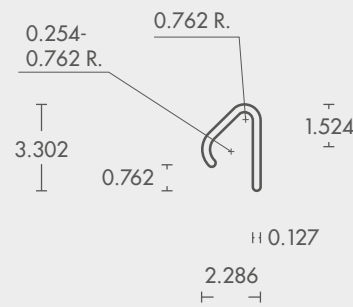
FIG. D



**FGSH-054**



**FGSH-055**



**FGSH-056**

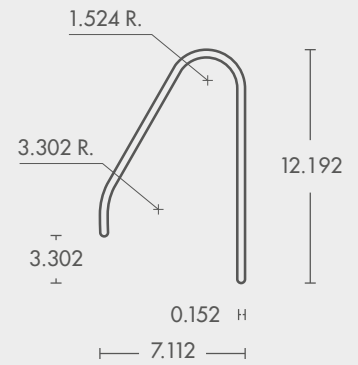
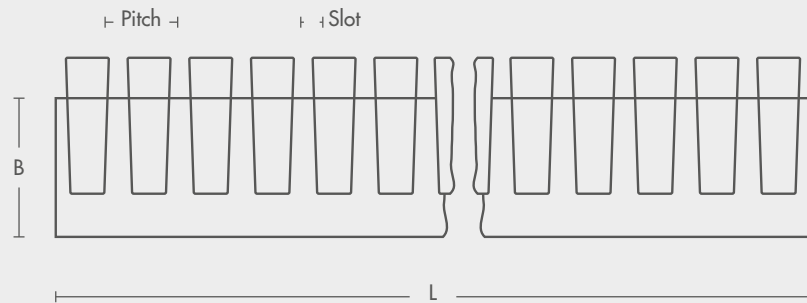
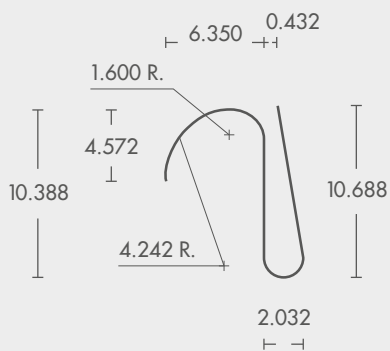


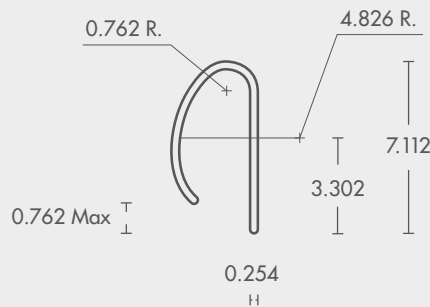
FIG. E



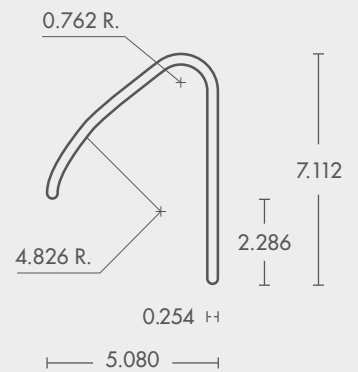
**FGSH-057**



**FGSH-053**



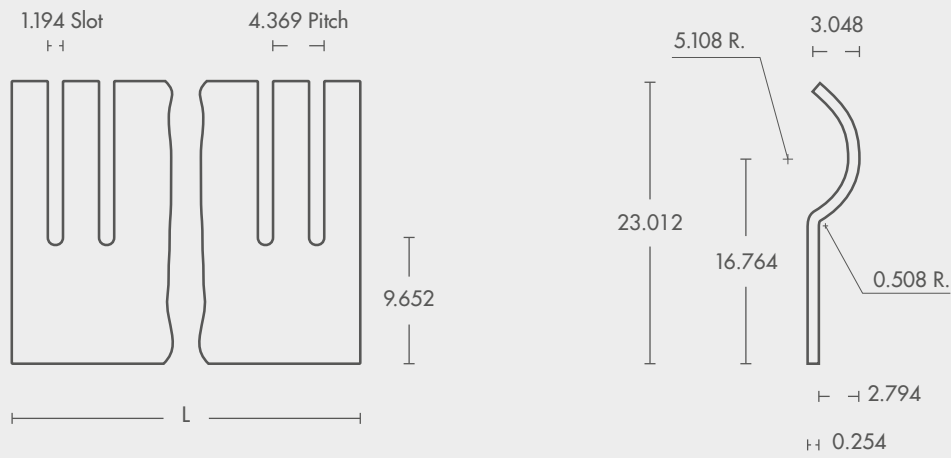
**FGSH-058**



• All dimensions, if not different specified, are in mm.

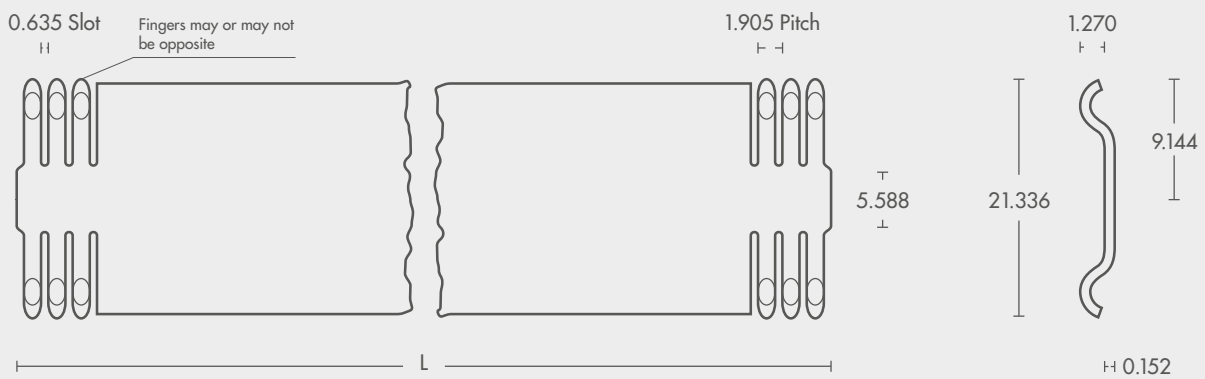
**FIG. F**

**FGSH-061**



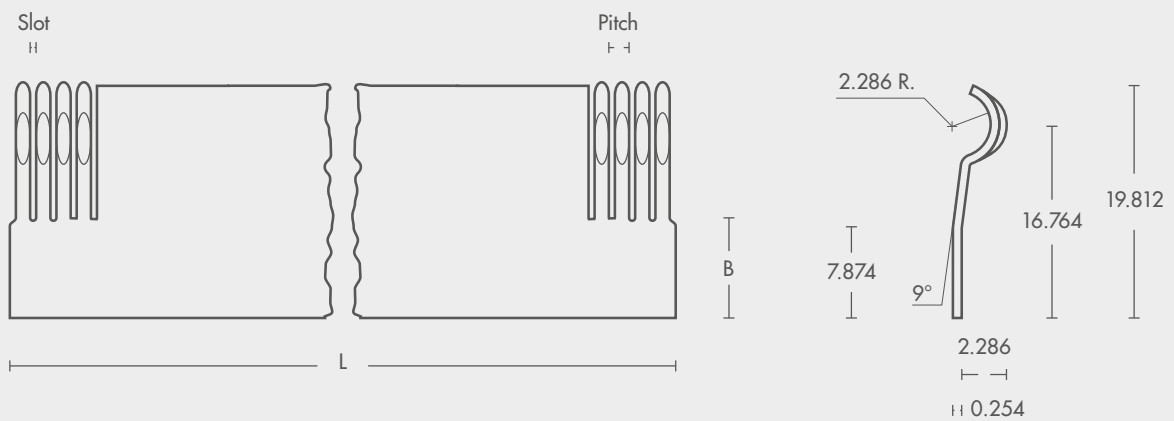
**FIG. G**

**FGSH-062**



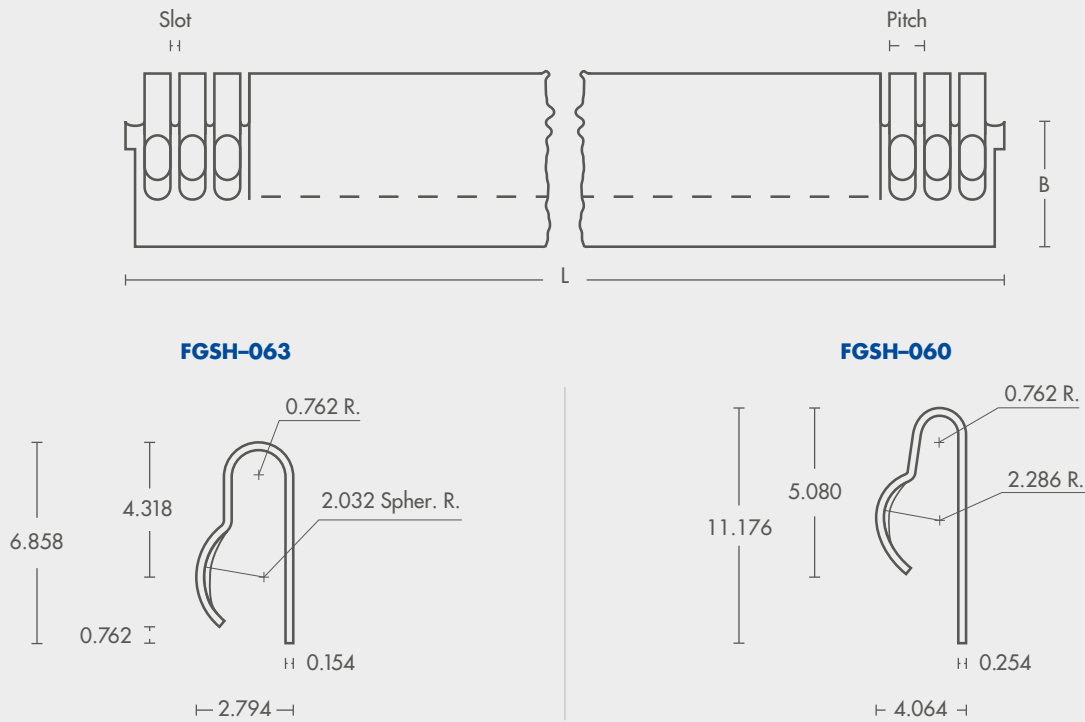
**FIG. H**

**FGSH-059**



• All dimensions, if not different specified, are in mm.

FIG. I



Series	Fig.	Pitch	Slot	B	Approx. Length	Approx. n. of Fingers
FGSH-051-0X1600	C	4.750	1.194	14.986	406.400	86
FGSH-052-0X1600	A	4.750	1.194	-	406.400	86
FGSH-053-0X1600	E	3.429	1.016	5.842	406.400	119
FGSH-054-0X1200	D	1.524	0.508	2.286	304.800	200
FGSH-055-0X1200	D	3.226	1.270	2.286	304.800	95
FGSH-056-0X1500	D	4.750	1.575	9.652	381.000	86
FGSH-057-0X1600	E	4.750	1.575	7.493	406.400	86
FGSH-058-0X1600	E	3.404	1.016	5.842	406.400	119
FGSH-059-0X1600	H	2.388	0.787	7.874	406.400	170
FGSH-060-0X1600	I	2.388	0.787	7.874	406.400	170
FGSH-061-0X1600	F	4.369	1.194	9.652	406.400	93
FGSH-062-0X1600	G	1.905	0.635	-	406.400	213
FGSH-063-0X1600	I	1.905	0.635	5.588	406.400	213

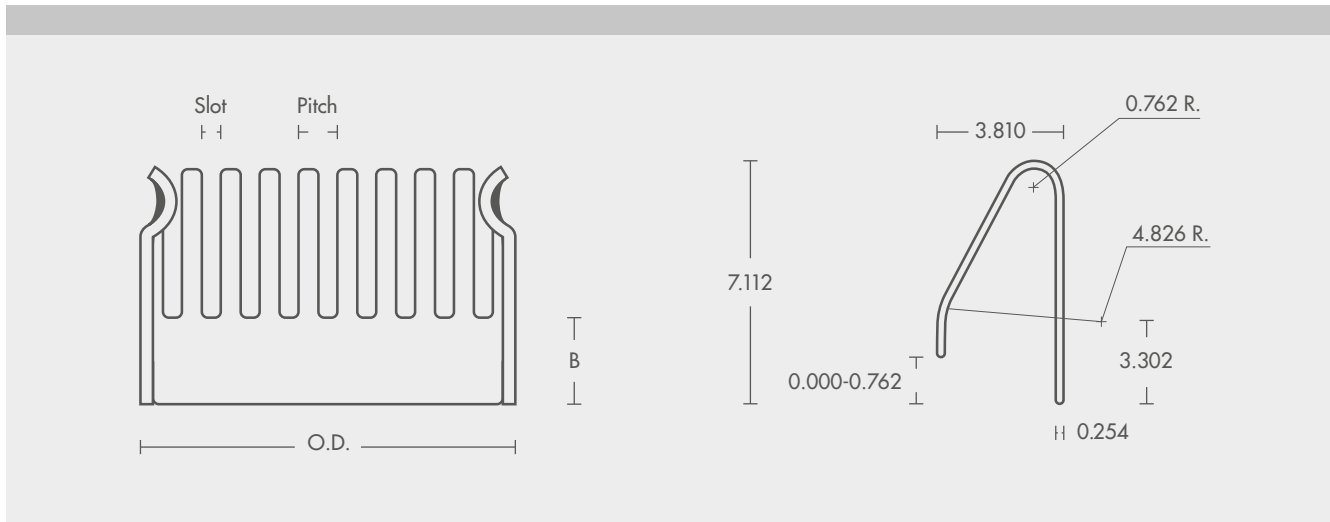
### CONTACT RINGS

The large variety of sizes and shapes of **Contact Rings** offers engineers a wide choice in meeting design requirements for microwave cavities, tuning, shielding and grounding applications. Rings are made from strip stock formed into an unclosed circle which, when assembled, becomes a complete ring.

- These rings are furnished in any diameter, greater than the minimum shown in the chart below, and must contain an integral number of fingers.

Series	Pitch	Slot	OD	N. of Fingers	Rec. Pin diameter	B	Made from strip	Small ø from strip
FGSH-064-0X0550	3.912	1.499	19.812	15	13.716	6.350	N/A	13.970

• All dimensions, if not different specified, are in mm.



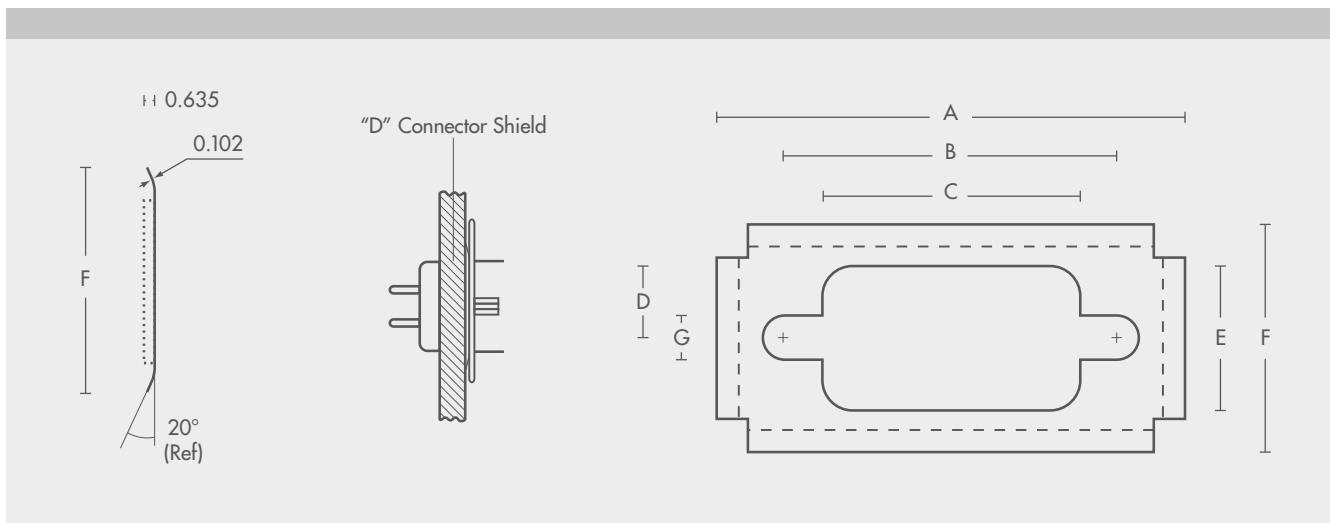
**DIN CONNECTOR SERIES**

**Euro Technologies' DIN Connector Gasket Series** is designed to ground connector plugs to the chassis of electronic systems. Manufactured in beryllium copper, these connector gaskets provide excellent conductivity and shielding characteristics.

- Large compression range between board and chassis.
- Wide footprint to accommodate misalignment of plug to chassis opening.
- Unique slide-on design for ease of assembly.
- Grounds circuit boards, as well as keyboards and audio equipment.

**AVAILABLE IN TWO SIZES TO ACCOMMODATE A VARIETY OF DIN CONNECTOR PLUGS**

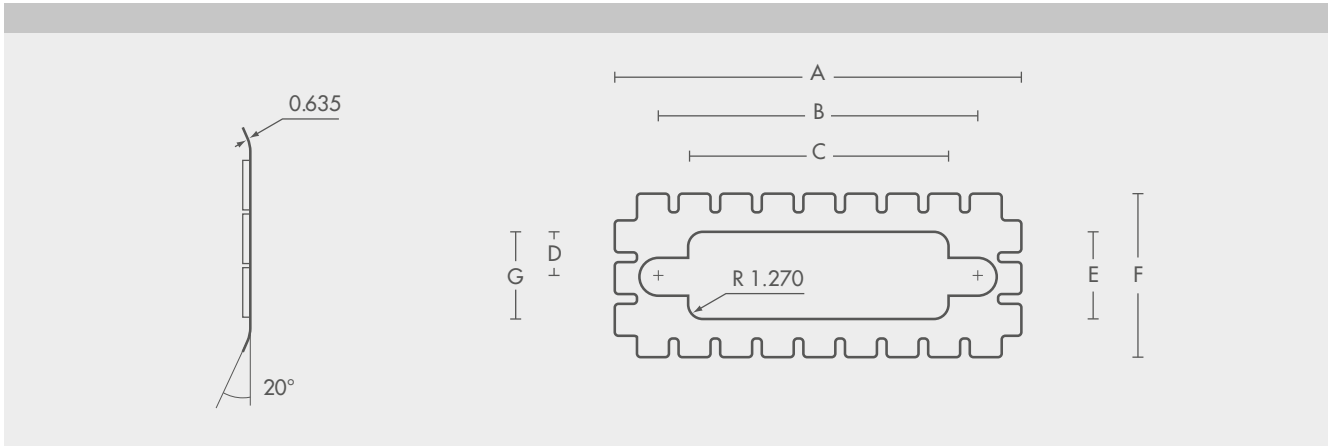
**AVAILABLE IN A WIDE VARIETY OF PLATED FINISHES**



SS	BeCu	No. Pins	A	B	C	D	E	F	G
FGSH-065	FGSH-066	9	35.814	24.892	19.812	5.588	11.176	17.526	3.302
FGSH-067	FGSH-068	15	44.196	33.274	28.194	5.588	11.176	17.526	3.302
FGSH-069	FGSH-070	25	57.912	46.990	41.910	5.588	11.176	17.526	3.302

• All dimensions, if not different specified, are in mm.





SS	BeCu	No. Pins	A	B	C	D	E	F	G	Pitch
FGSH-071	FGSH-072	9	35.865	24.994	19.914	5.588	11.176	17.526	4.064	4.521
FGSH-073	FGSH-074	15	44.196	33.325	28.245	5.588	9.144	17.526	4.064	4.445
FGSH-075	FGSH-076	25	57.912	47.041	41.960	5.588	11.176	17.526	4.064	4.420

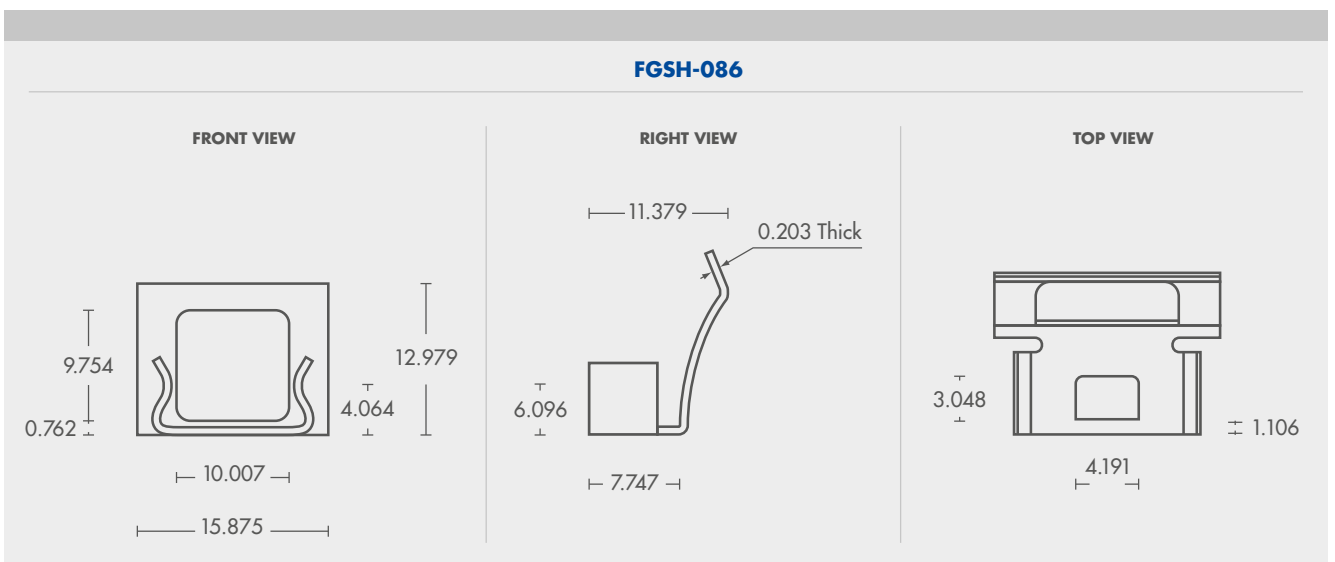
**USB CONNECTOR**

**Euro Technologies** offers the **USB** (Universal Serial Bus) **Type B Connector** gasket. The unique design easily snaps onto the connector prior to placement on the printed circuit board and fits all Series B USB right angle connector brands.

Made from high performance beryllium copper, these gaskets provide superior grounding characteristics and enhances the shielding of the connector due to the short electrical path to the ground plane provided when the gasket makes contact with the connector.

- Gasket easily snaps onto the connector for a secure fit.
- Connector/gasket assembly can be placed onto the board via pick-and-place.
- High clip force attaches clip to connector body for good electrical contact and secure transport prior to soldering.
- Once the shielded connector assembly is soldered to the PCB, the shield is captivated between board and connector and provides reliable contact between the connector and faceplate.
- Simple compact design fits within 15.875 mm x 15.875 mm windows.

**AVAILABLE IN A VARIETY OF PLATING FINISHES**



• All dimensions, if not different specified, are in mm.

## IEEE 1394 HORIZONTAL CONNECTOR GASKET

**Euro Technologies** offers an addition to our connector gasket line, which is designed to fit all **IEEE 1394 Horizontal Connectors**. Made from copper beryllium, these gaskets provide superior grounding and reduce emissions from the connector by providing a low-impedance grounding path from the connector shell to the faceplate.

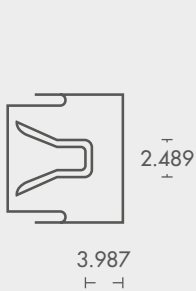
The gasket is mounted over the top of a **Horizontal IEEE 1394 Connector** and soldered to the board. Contact with both the faceplate and the connector shell is accomplished once the board is assembled into its housing. These gaskets can be provided in trays to facilitate pick-and-place assembly onto the board and wave soldering automation.

- Accommodates a wide range of connector protrusion positions.
- Fits all IEEE 1394 horizontal connectors.
- Gasket can be placed onto the printed circuit board via pick-and-place.
- Packaging to accommodate high-speed assembly is optional.
- Simple thru-pin mounting method.
- Grounds the connector to the faceplate.

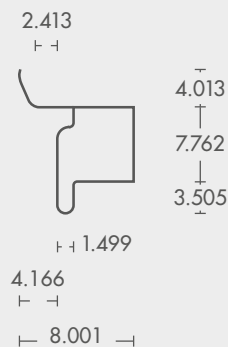
### AVAILABLE IN A VARIETY OF PLATING FINISHES

#### FGSH-087

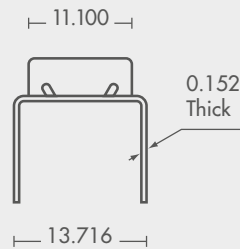
TOP VIEW



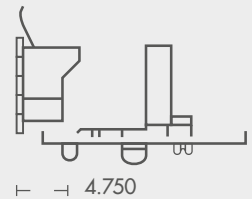
RIGHT VIEW



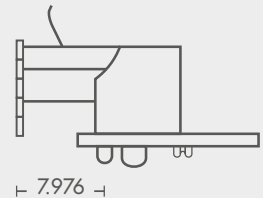
FRONT VIEW



MINIMUM CONNECTOR PROTRUSION



MAXIMUM CONNECTOR PROTRUSION



## ORDERING INFORMATION

**FG** **S** **H** - **001** - **A** **XXXX**

**FG** Product Family

**S** S = Strip / C = Coil

**H** H = Hard / S = Soft

**001** Section

**1** O = No Adhesive / 1 = Adhesive

**A** Surface Treatment: A = Bright / B = Nickel / C = Tin / D = Silver / E = Zinc / F = Gold

**XXXX** Length